

Intel® Iris® Xe MAX Graphics Open Source

Programmer's Reference Manual

For the 2020 Discrete GPU formerly named "DG1"

Volume 8: Command Stream Programming

February 2021, Revision 1.0



Notices and Disclaimers

Intel technologies may require enabled hardware, software or service activation.

No product or component can be absolutely secure.

Code names are used by Intel to identify products, technologies, or services that are in development and not publicly available. These are not "commercial" names and not intended to function as trademarks.

Customer is responsible for safety of the overall system, including compliance with applicable safety-related requirements or standards.

No license (express or implied, by estoppel or otherwise) to any intellectual property rights is granted by this document.

The products described may contain design defects or errors known as errata which may cause the product to deviate from published specifications. Current characterized errata are available on request.

You may not use or facilitate the use of this document in connection with any infringement or other legal analysis concerning Intel products described herein. You agree to grant Intel a non-exclusive, royalty-free license to any patent claim thereafter drafted which includes subject matter disclosed herein.

Intel disclaims all express and implied warranties, including without limitation, the implied warranties of merchantability, fitness for a particular purpose, and non-infringement, as well as any warranty arising from course of performance, course of dealing, or usage in trade.

Intel may make changes to specifications and product descriptions at any time, without notice. Designers must not rely on the absence or characteristics of any features or instructions marked "reserved" or "undefined". Intel reserves these for future definition and shall have no responsibility whatsoever for conflicts or incompatibilities arising from future changes to them. The information here is subject to change without notice. Do not finalize a design with this information.

© Intel Corporation. Intel, the Intel logo, and other Intel marks are trademarks of Intel Corporation or its subsidiaries. Other names and brands may be claimed as the property of others.

Table of Contents

Command Stream Programming	1
Introduction.....	1
Workload Submission and Execution Status.....	2
Scheduling and Execlists.....	2
Preemption	10
Execution Status.....	11
Commands and Programming Interface	13
Command Buffers.....	13
Command Streamer Command Formats.....	17
Execution Control Infrastructure	20
MI Commands for Graphics Processing Engines	29
Register Access and User Mode Privileges	30
Context Management	43
Global State	43
Context State.....	49
Producer-Consumer Data ordering for MI Commands.....	53
Memory Data Ordering.....	54
MMIO Data Ordering.....	56
Command Fetch	57
Advanced Command Prefetch	57
Self-Modifying Code.....	57

Command Stream Programming

Command Stream Programming in the new GPU Overview Volume.

Introduction

Command Streamer is the primary interface to the various engines that are part of the graphics hardware.

The graphics HW consists of multiple parallel engines that can execute different kinds of workloads. E.g Render engine for 3D and GPGPU tasks, Video Decode engine, Video Enhancement Engine and Blitter engine.

Some product SKU's have multiple instances of an engine (e.g 2 Video Decode engines).

As shown in figure 1, each of these engines have their own Command Streamer that is responsible for processing the commands in the workload and enabling execution of the task.

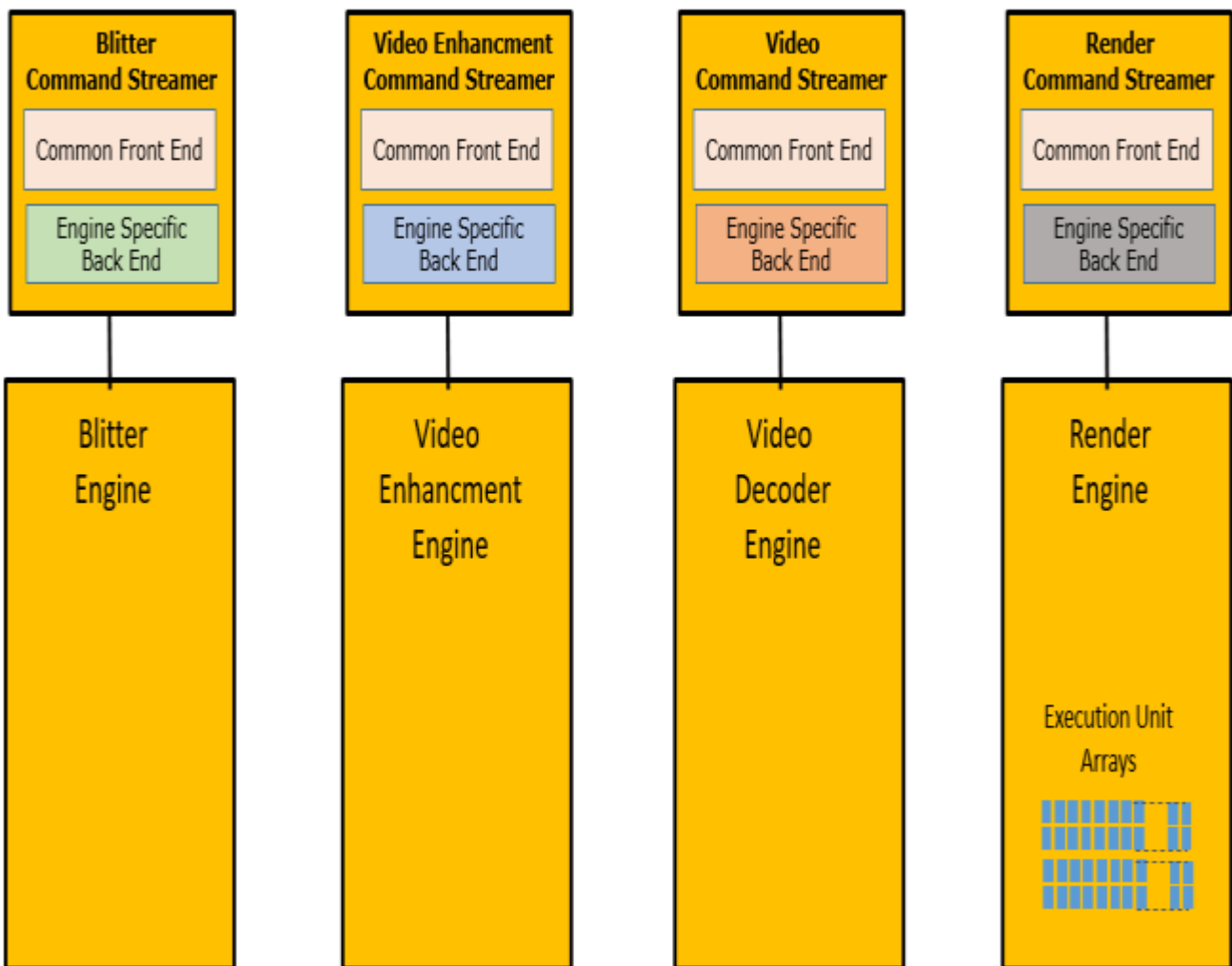


Figure 1: High level view of Command Streamer



As shown in the figure, the command streamer is comprised of a Common Front end and an engine specific backend.

The common front end allows each engine to provide a uniform software interface (e.g. infrastructure for submission of commands, synchronization, etc.).

The back ends handle the engine specific commands and the protocols required to control the execution of the underlying engine.

Workload Submission and Execution Status

This section describes the interface to submit work and obtain status.

Scheduling and Execlists

Execution-List provides a HW-SW interface mechanism to schedule context as a fundamental unit of submission to GFX-device for execution. GFX-device has multiple engines (Render, Blitter, Video, Video Enhancement) with each of them having an execution list for context submission. At any given time, all engines could be concurrently running different contexts.

A context is identified with a unique identifier called Context ID. Each context is associated with an address space for memory accesses and is assigned a unique ring buffer for command submission.

SW submits workload for a context by programming commands into its assigned ring buffer prior to submitting context to HW (engine) for execution.

Context State:

Each context programs the engine state according to its workload requirements. All the hardware state variables of an engine required to execute a context is called context state. Each context has its own context state. Context state gets programmed on execution of commands from the context ring buffer. All the contexts designated to run on an engine have the same context format, however the values may differ based on the individual state programming.

Logical Context Address:

Each context is assigned a Logical Context Address to which the context state is saved by the engine on a context getting switched out from execution. Similarly, engine restores the context state from the logical context address of a context on getting switched in for execution.

Logical context address is an absolute graphics virtual address in global virtual memory. Context state save/restore mechanism by the engine avoids SW from re-programming the state across context switches.

Each engine has its own hardware state variables and hence they have different context state formats. A context run on a Render engine can't be submitted to Blitter engine and vice-versa and holds true for any other engines.

Context Submission:

A context is submitted to an engine for execution by writing the context descriptor to the Exelist Submit Port (ELSP). Refer ELSP for more details. Context descriptor provides the Context ID, Address space, Logical Context Address and context valid. Refer context descriptor for more details.

Logical context address points to the context state in global virtual memory which has ring buffer details, address space setup details and other important hardware state initialization for the corresponding context. Refer Logical Context Format for more details.

Note that this mechanism cannot be used when the **Exelist Enable** bit in the corresponding engines MODE register is not set, i.e. GFX_MODE register for Render Engine, BLT_MODE register for Blitter Engine, VCS_MODE register for Video Engine, or VECS_MODE register for Video Enhancement Engine.

Context Descriptor Format

Context Descriptor Format

Before submitting a context for the first time, the context image must be properly initialized. Proper initialization includes the ring context registers (ring location, head/tail pointers, etc.) and the page directory.

Render CS Only: Render state need not be initialized; the **Render Context Restore Inhibit** bit in the Context/Save image in memory should be set to prevent restoring garbage render context. See the Logical Ring Context Format section for details.

Programming Note on Context ID field in the Context Descriptor

This section describes the current usage by SW.

General Layout:

6	6	6	6	5	5	5	5	5	5	5	5	5	5	4	4	4	4	4	4	4	4	4	3	3	3	3	3	3	3	3						
3	2	1	0	9	8	7	6	5	4	3	2	1	0	9	8	7	6	5	4	3	2	1	0	9	8	7	6	5	4	3	2					
3	3	2	2	2	2	2	2	2	2	2	2	1	1	1	1	1	1	1	1	1	1	0	0	0	0	0	0	0	0	0						
1	0	9	8	7	6	5	4	3	2	1	0	9	8	7	6	5	4	3	2	1	0	9	8	7	6	5	4	3	2	1	0					
Eng. ID			SW Counter					HW Use	SW Context ID																											

Eng. ID = Engine ID (a software defined enum to identify RCS, BCS etc.)

SW Counter = Submission Counter. (SW generates a unique counter value on every submission to ensure GroupID + PASID is unique to avoid ambiguity in fault reporting & handling)

Bit 20 = Is Proxy submission. If Set to true, SW Context ID[19:0] = LRCA [31:20], else it is an index into the Context Pool.

Direct Submission

Every application gets one context ID of their own.

SW Context ID + Engine ID + SW Counter forms the unique number



The Engine ID is used to identify which engine of a given context needs to be put into wait or ready state based on Semaphore/Page Fault ID value in Semaphore/Page fault FIFO.

This method allows the context to submit work to other engines while its blocked on one.

Proxy Submission

KMD creates one context for submitting work on behalf of various user mode contexts (user mode application is not using direct submission model).

This method has certain key restrictions and behaviors:

- Work (LRCA) submitted will be scheduled on the CS in the order it was received.
- KMD uses its SW Context ID in [63:32] but uses the LRCA of the user mode context.
 - KMD's LRCA is not used for any work submission.
- If a workload hits a wait event, it does not lose its position in the schedule queue.
 - Enforces "in order" ness.
- Due to in order execution, same engine - different context semaphore synchronization is not possible.
 - Therefore, cross engine sync is simple because it clears the semaphore of the head.
- Due to in order execution, page fault on a context cannot allow a different context on same engine to execute (may preempt to idle as a power optimization).

This method allows a clean SW architecture to have KMD submissions and Ring 3 submissions to co-exist.

Logical Ring Context Format

Context descriptor has the graphics virtual address pointing to the logical context in memory. Logical context has all the details required for an engine to execute a context. This is the only means through which software can pass on all the required information to hardware for executing a context. Engine on selecting a context for execution will restore (fetch-context restore) the logical context from memory to setup the appropriate state in the hardware. Engine on switching out the context from execution saves (store- context save) the latest updated state to logical context in memory, the updated state is result of the command buffer execution.

The Logical Context of each engine (Render, Video, Blitter, Video Enhancement, etc.) primarily consists of the following sections:

- Per-Process HW Status Page (4K)
- Ring Context (Ring Buffer Control Registers, Page Directory Pointers, etc.)
- Engine Context (PipelineState, Non-pipelineState, Statistics, MMIO)

Per-Process of HW status Page (PPHWSP)

This is a 4KB scratch space memory allocated for each of the context in global address space. First few cachelines are used by the engine for implicit reports like auto-report of head pointer, timestamp statistics associated with a context execution, rest of the space is available for software as scratch space

for reporting fences through MI commands. Context descriptor points to the base of Per-Process HW status page. See the PPHWP format in **PPHWSP_LAYOUT**.

Logical Ring Context

Logical Ring Context starts immediately following the PPHWSP in memory. Logical ring context is five cachelines in size. This is the minimal set of hardware state required to be programmed by SW for setting up memory access and the ring buffer for a context to be executed on an engine. Memory setup is required for appropriate address translation in the memory interface. Ring buffer details the location of the ring buffer in global graphics virtual address space with its corresponding head pointer and the tail pointer. Ring context also has "Context Save/Restore Control Register-CTXT_SR_CTL" which details the engine context save/restore format. Engine first restores the Logical Ring Context and upon processing CTXT_SR_CTL it further decides the due course of Engine Context restore. Logical Ring Context is mostly identical across all engines. Logical ring context is saved to memory with the latest up to date state when a context is switched out.

Engine Context

Engine context starts immediately following the logical ring context in memory. This state is very specific to an engine and differs from engine to engine. This part of the context consists of the state from all the units in the engine that needs to be save/restored across context switches. Engine restores the engine context following the logical ring context restore. It is tedious for software to populate the engine context as per the requirements, it is recommended to implicitly use engine to populate this portion of the context. Below method can be followed to achieve the same:

- When a context is submitted for the first time for execution, SW can inhibit engine from restoring engine context by setting the "Engine Context Restore Inhibit" bit in CTXT_SR_CTL register of the logical ring context. This will avoid software from populating the Engine Context. Software must program all the state required to initialize the engine in the ring buffer which would initialize the hardware state. On a subsequent context save engine will populate the engine context with appropriate values.
- Above method can be used to create a complete logical context with engine context populated by the hardware. This Logical context can be used as an Golden Context Image or template for subsequently created contexts.

Engine saves the engine context following the logical ring context on switching out a context.

The detailed format of the logical ring context for Blitter, Video, and VideoEnhancement is documented in the Memory Object Overview/Logical Contexts chapter.

The detailed formats of the Render Logical Ring and Engine Context, including their size, is mentioned in the **Engine Register and State Context** topic for each product.



RINGBUF -- Ring Buffer Registers

Register
RING_BUFFER_TAIL - Ring Buffer Tail
RING_BUFFER_HEAD - Ring Buffer Head
RING_BUFFER_START - Ring Buffer Start
RING_BUFFER_CTL - Ring Buffer Control

Command Stream Virtual Memory Control

Per-Process GTT (PPGTT) is setup for an engine (Render, Blitter, Video and Video Enhancement) by programming corresponding Page Directory Pointer (PDP) registers listed below. Refer "Graphics Translation Tables" in "Memory Overview" for more details on Per-Process page table entries and related translations.

Context Status

Hardware reports the change in state of context execution to software (scheduler) through Context Status Dword. Soft-Ware can read the context status dword from time to time to track the state of context execution in hardware. A context switch reason (Context Switch Status) quad-word (64bits) is reported to the Soft-Ware (scheduler) on a valid context getting switched out. Context switch could be a synchronous context switch (from one valid element to the other valid element in the EQ) or asynchronous context switch (Load-switching from the current executing context to the very first valid element of the newly updated EQ or on Preempt to Idle). Context switch reason is also reported on HW executing the very first valid element from EQ coming out of idle indicating hardware has gone busy from idle state (Idle to Active). Context ID reported in Context Status Dword on Idle-to-Active context switch is undefined and note that there aren't any active contexts running in hardware coming out of reset, power-on or idle.

A context switch reason reported is always followed by generation of a context switch interrupt to notify the Soft-Ware about the context switch. Soft-Ware can selectively mask the context switch status being reported and the corresponding interrupt due to a specific context switch reason. Refer Context Status Report controls section for more details.

- A status QW for the context that was just switched away from will be written to the Context Status Buffer in the Global Hardware Status Page. Context Status Buffer in Global Hardware Status Page is exercised when IA based scheduling is done. The status contains the context ID and the reason for the context switch.

Format of Context Status QWord

Context Status

Context Status should be inferred as described in the table below.

IDLE_CTXID Encoding

IDLE_CTXID
0x7FF

S.No	Switch to New Queue	Ctxid Away	Ctxid To	Switch Detail	Description
1	1	IDLE_CTXID	0xAB	0	<p>Idle to Active</p> <p>Ctxid Away: IDLE_CTXID indicates HW was idle when switched to the new queue.</p> <p>Ctxid To: 0xAB is the context picked form the newly submitted queue to execute.</p>
2	1	0xAB	IDLE_CTXID	0-5	<p>Preempt to Idle</p> <p>Ctxid Away: 0xAB is the context that got switched out due to Preempt To Idle.</p> <p>Ctxid To: IDLE_CTXID indicates HW will go Idle following this context switch.</p> <p>Switch To New Queue field status set distinguishes between Preempt To Idle Vs Active To Idle Switch.</p>
3	1	IDLE_CTXID	IDLE_CTXID	X	<p>Preempt To Idle, Idle to Active</p> <p>Preempt To Idle has occurred when HW was idle.</p> <p>Ctxid Away: IDLE_CTXID indicates HW was idle when switched to the new queue (Preempt To Idle).</p> <p>Ctxid To: IDLE_CTXID indicates HW will go Idle following this context switch.</p>
4	1	0xAB	0x7BC	0	<p>Switched to New queue and also the earlier context is complete.</p> <p>Ctxid Away: 0xAB is the context that got switched out due to submission of new queue and also the context is complete.</p> <p>Ctxid To: 0x7BC is the context picked form the newly submitted queue to execute.</p>

5	1	0xAB	0x7BC	5	<p>Switched to new queue with the earlier context preempted.</p> <p>Ctxid Away: 0xAB is the context that got preempted and switched out due to submission of new queue.</p> <p>Ctxid To: 0x7BC is the context picked form the newly submitted queue to execute.</p>
6	1	0xABC	0x7BC	1-4	<p>Switched to new queue, at the time of switch, executing context was waiting on an un-successful wait.</p> <p>Ctxid Away: 0xAB is the context that got switched out on an un-successful wait due to submission of new queue.</p> <p>Ctxid To: 0x7BC is the context picked form the newly submitted queue to execute.</p>
7	1	0xAB	0xAB	-NA-	<p>Lite restore. Switched to new queue.</p>
8	0	0xAB	0x7AC	0	<p>Element (Synchronous context) switch on context complete.</p> <p>Ctxid Away: 0xAB is the context that got switched out due to context complete.</p> <p>Ctxid To: 0x7AC is the next element (context) form the execution queue selected to execute.</p>
9	0	0xAB	0x7AC	1-4	<p>Element (Synchronous context) switch on un-successful wait.</p> <p>Ctxid Away: 0xAC is the context that got switched out due to un-successful wait.</p> <p>Ctxid To: 0x7AC is the next element (context) form the execution queue selected to execute.</p>
10	0	0xAB	IDLE_CTXID	0-4, 5*	<p>Active to Idle.</p> <p>Ctxid Away: 0xAB is the context that got switched out due to context complete or un-successful wait.</p> <p>Ctxid To: IDLE_CTXID indicates HW will go Idle following this context switch.</p> <p>Switch To New Queue field reset status distinguishes between Active To Idle Switch Vs Preempt To Idle.</p> <p>Switch Detail as 5 is possible on Preempt to Idle.</p>

Context Status Buffer in Global Hardware Status Page

Status QWords are written to the Context Status Buffer in Global Hardware Status Page at incrementing locations starting from DWORD offset of 28h. The Context Status Buffer has a limited size (see Table Number of Context Status Entries) and simply wraps around to the beginning when the end is reached. The status QWs can be examined to determine the contexts executed by the hardware and the reason for switching out. The most recent location updated in the Context Status Buffer is indicated by the **Last Written Status Offset** in Global Hardware Status page at DWORD offset 47h.

Refer Global Hardware Status Page Layout at [Hardware Status Page Layout](#).

Number of Context Status Entries

Number of Status Entries
12 (QW) Entries

Format of the Context Status Buffer starting at DWORD offset 28h in Global Hardware Status page

QW	Description
15	Last Written Status Offset. The lower byte of this QWord is written on every context switch with the (pre-increment) value of the Context Status Buffer Write Pointer . The lower 4 bits increment for every status Qword write; bits[7:4] are reserved and must be '0'. The lowest 4 bits indicate which of the Context Status Qwords was just written. The rest of the bits [63:8] are reserved.
14:12	Reserved: MBZ.
11:0	Context Status QWords. A circular buffer of context status QWs. As each context is switched away from, its status is written here at ascending QWs as indicated by the Last Written Status Offset . Once QW11 has been written, the pointer wraps around so that the next status is written at QW0. Format = ContextStatusDW

Controls for Context Switch Status Reporting

This section describes various configuration bits available which control the hardware reporting mechanism of Context Switch Status.

Hardware reports context switch reason through context switch status report mechanism on every context switch. "Context Status Buffer Interrupt Mask" register provides mechanism to selectively mask/un-mask the context switch interrupt and the context switch status report for a given context switch reason. Hardware will not generate a context switch interrupt and context switch status report on a context switch reason that is masked in "Context Status Buffer Interrupt Mask" register. Every context switch reason reported by hardware may not be of interest to the scheduler. Scheduler may selectively mas/un-mask the context switch reasons of its interest to get notified.

Context Status Buffer Interrupt Mask Register



Preemption

Preemption is a means by which HW is instructed to stop executing an ongoing workload and switch to the new workload submitted. Preemption flows are different based on the mode of scheduling.

ExecList Scheduling

In ExecList mode of scheduling SW triggers preemption by submitting a new pending execlist to ELSP (ExecList Submit Port). HW triggers preemption on a preemptable command on detecting the availability of the new pending execlist, following preemption context switch happens to the newly submitted execlist. As part of the context switch preempted context state is saved to the preempted context LRCA, context state contains the details such that on resubmission of the preempted context HW can resume execution from the point where it was preempted.

Example:

```
Ring Buffer  
  
MI_ARB_ON_OFF // OFF  
MI_BATCH_START // Media Workload  
MI_ARB_ON_OFF // ON  
MI_ARB_CHK // Preemptable command outside media command buffer.
```

The following table lists Preemptable Commands in ExecList mode of scheduling:

Command Streamer Preemptable Commands

Preemptable Command	Condition
MI_ARB_CHECK	AP
Element Boundary	AP (if allowed)
Semaphore Wait	Unsuccessful & AP
Wait for Event	Unsuccessful & AP (if allowed)

Table Notes:

AP - Allow Preemption if arbitration is enabled.

For additional preemptable commands specific to any engine type, refer to the engine specific command interface documentation.

Execution Status

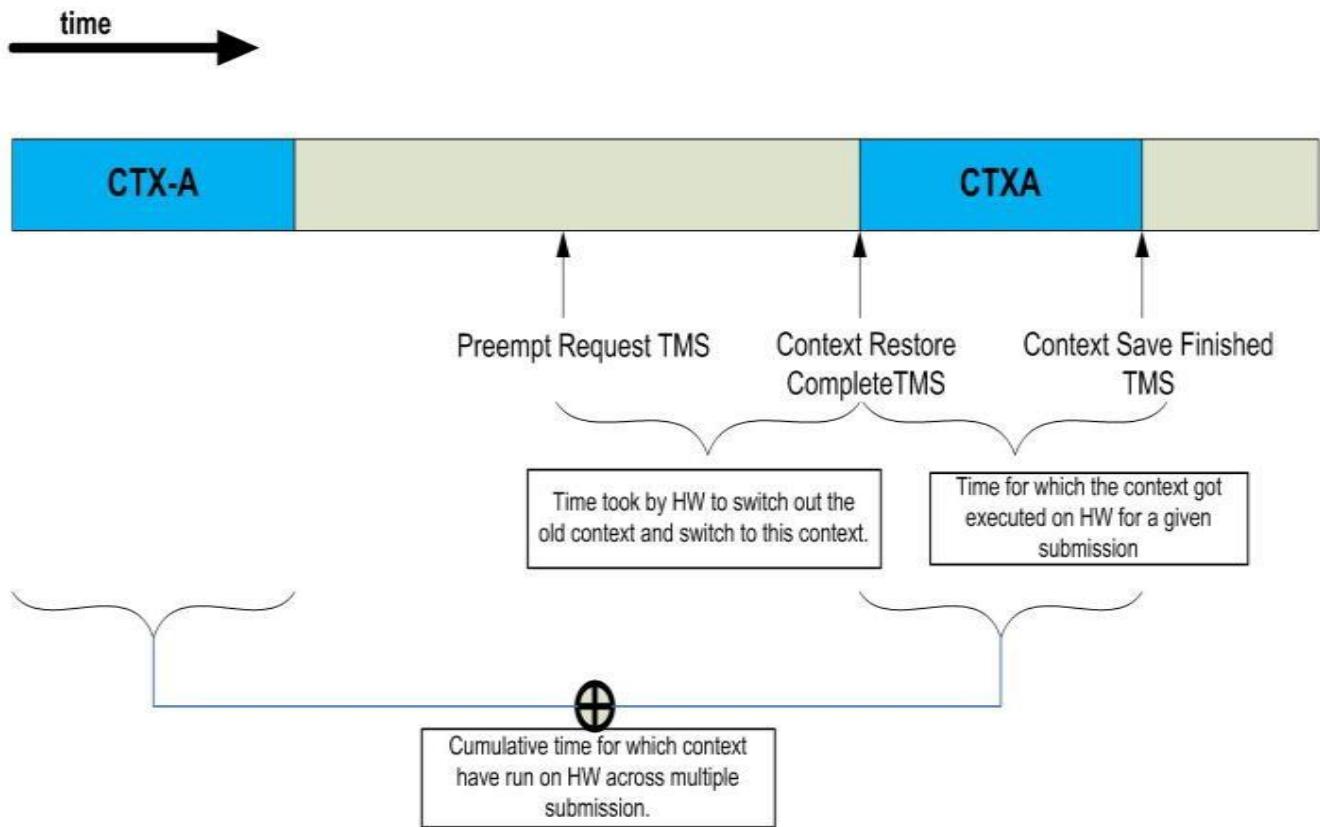
This section describes the infrastructure used to report status that the hardware provides

The Per-Process Hardware Status Page

The layout of the Per-Process Hardware Status Page is defined at **PPHWSP_LAYOUT**.

The DWord offset values in the PPHWSP_LAYOUT are in decimal.

Figure below explains the different timestamp values reported to PPHWSP on a context switch.



This page is designed to be read by SW to glean additional details about a context beyond what it can get from the context status.

Accesses to this page are automatically treated as cacheable and snooped. It is therefore illegal to locate this page in any region where snooping is illegal (such as in stolen memory).

Hardware Status Page

The hardware status page is a naturally aligned 4KB page residing in memory. This page exists primarily to allow the device to report status via GGTT writes.

The address of this page is programmed via the HWS_PGA MI register. The definition of that register (in *Memory Interface Registers*) includes a description of the layout of the Hardware Status Page.



Interrupt Control Registers

The Interrupt Control Registers described in this section all share the same bit definition. The bit definition is as follows:

Bit Definition for Interrupt Control Registers:

Engine Interrupt Vector Definition Table

Blitter Interrupt Vector
Render Engine Interrupt Vector
VideoDecoder Interrupt Vector
VideoEnhancement Interrupt Vector
Compute Engine Interrupt Vector

The following table specifies the settings of interrupt bits stored upon a "Hardware Status Write" due to ISR changes:

Bit	Interrupt Bit	ISR Bit Reporting Via Hardware Status Write (When Unmasked Via HWSTAM)
9	Reserved	
8	Context Switch Interrupt. Set when a context switch has just occurred.	Not supported to be unmasked.
7	Page Fault. This bit is set whenever there is a pending PPGTT (page or directory) fault. This interrupt is for handling Legacy Page Fault interface for all Command Streamers (BCS, RCS, VCS, VECS). When Fault Repair Mode is enabled, Interrupt mask register value is not looked at to generate interrupt due to page fault. Please refer to vol1c "Page Fault Support" section for more details.	Set when event occurs, cleared when event cleared. Not supported to be unmasked.
6	Media Decode Pipeline Counter Exceeded Notify Interrupt. The counter threshold for the execution of the media pipeline is exceeded. Driver needs to attempt hang recovery.	Not supported to be unmasked. Only for Media Pipe.
5	L3 Parity interrupt	Only for Render Pipe
4	Flush Notify Enable	0
3	Master Error	Set when error occurs, cleared when error cleared.
2	Reserved	
0	User Interrupt	0

Command Streamer > Hardware Status Mask Register

Hardware-Detected Error Bit Definitions (for EIR EMR ESR)

This section defines the Hardware-Detected Error bit definitions and ordering that is common to the EIR, EMR, and ESR registers. The EMR selects which error conditions (bits) in the ESR are reported in the EIR. Any bit set in the EIR will cause the error bit in the ISR to be set. EIR bits will remain set until the appropriate bit(s) in the EIR is cleared by writing the appropriate EIR bits with 1 (except for the unrecoverable bits described below).

The following structures describe the Hardware-Detected Error bits:

The following structures describe the Hardware-Detected Error bits:

Error Bits
RCS Hardware-Detected Error Bit Definitions Structure
BCS Hardware-Detected Error Bit Definitions Structure
VCS Hardware-Detected Error Bit Definitions Structure
VECS Hardware-Detected Error Bit Definitions Structure
ComputeCS Hardware-Detected Error Bit Definitions Structure

The following are the EIR, EMR and ESR registers:

Registers
EIR - Error Identity Register
EMR - Error Mask Register
ESR - Error Status Register

Commands and Programming Interface

This section describes the command supported by command streamer and the programming interface.

Command Buffers

Instructions to be executed by an engine are submitted to the hardware using command buffers.

Command Ring Buffers

Command ring buffers are the memory areas used to pass instructions to the device. Refer to the Programming Interface chapter for a description of how these buffers are used to transport instructions.

The RINGBUF register sets (defined in Memory Interface Registers) are used to specify the ring buffer memory areas. The ring buffer must start on a 4KB boundary and be allocated in linear memory. The length of any one ring buffer is limited to 2MB.

Command Batch Buffers

Command batch buffers are contiguous streams of instructions referenced via an MI_BATCH_BUFFER_START and related instructions (see Memory Interface Instructions, Programming Interface). They are used to transport instructions external to ring buffers.

Programming Note	
Context:	Command batch buffers in memory objects
Batch buffers can be tagged with any memory type when produced by IA. If WB memory type is used, it should be tagged with "snoop required" for GPU consumption (to trigger snoop from CPU cache).	

Programming Note	
Context:	Command batch buffers in memory objects
The batch buffer must be QWord aligned and a multiple of QWords in length. The ending address is the address of the last valid QWord in the buffer. The length of any single batch buffer is "virtually unlimited" (i.e., could theoretically be 4GB in length).	

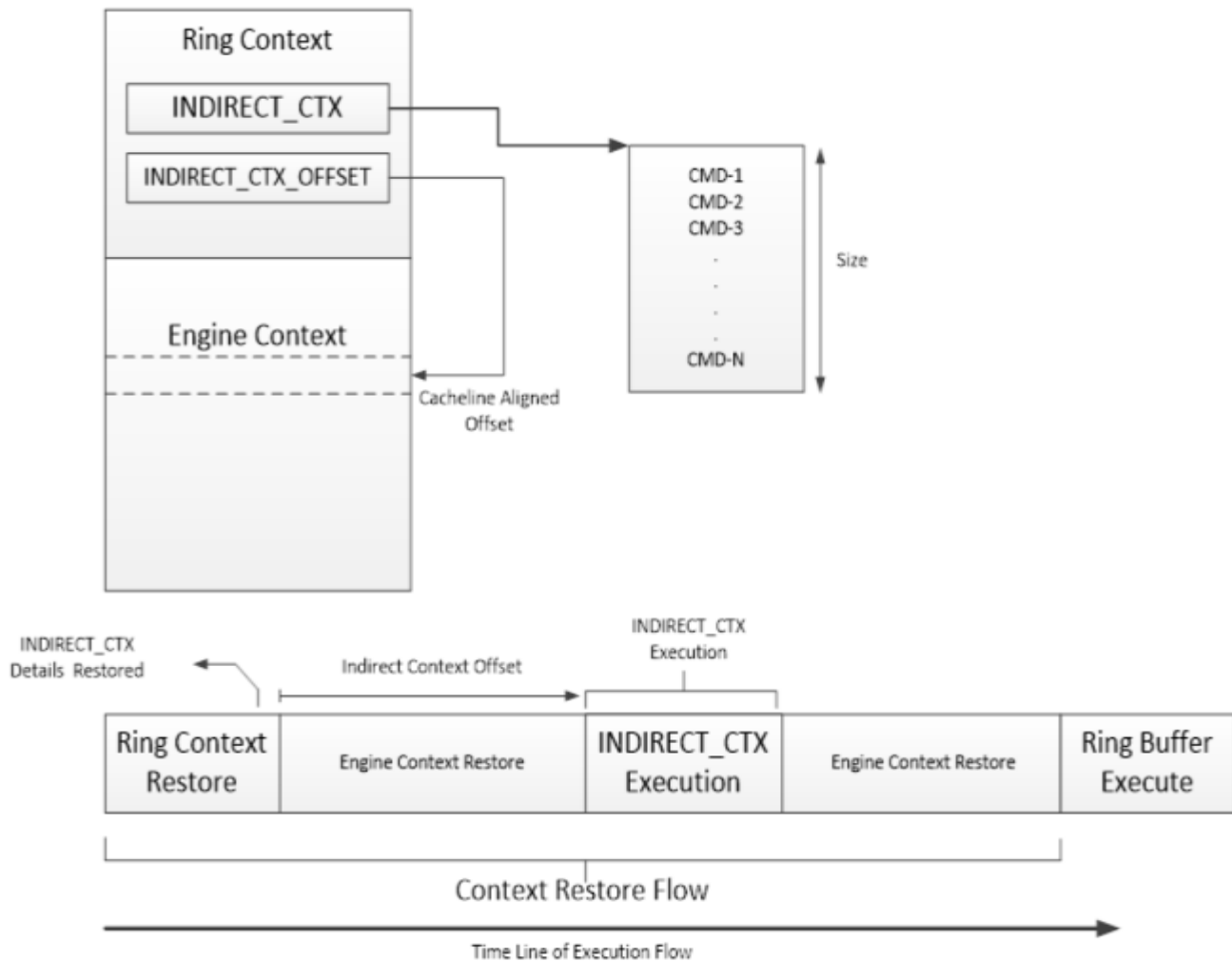
Workaround Batch Buffers

A Workaround batch buffer is a set of commands that is run by the hardware during context load time. i.e when Command Streamer hardware is restoring the state of the context that it is about to execute (before execution of any command in the ring buffer). The Workaround batch buffer uses pointers to command buffers that are setup by the Kernel Mode driver in the context image.

Two flavors of Workaround batch buffers are supported by the hardware. They differ in terms of exactly when the supplied workaround commands are executed in the context restore process. The mechanisms supported are:

Indirect Context Pointer (INDIRECT_CTX)

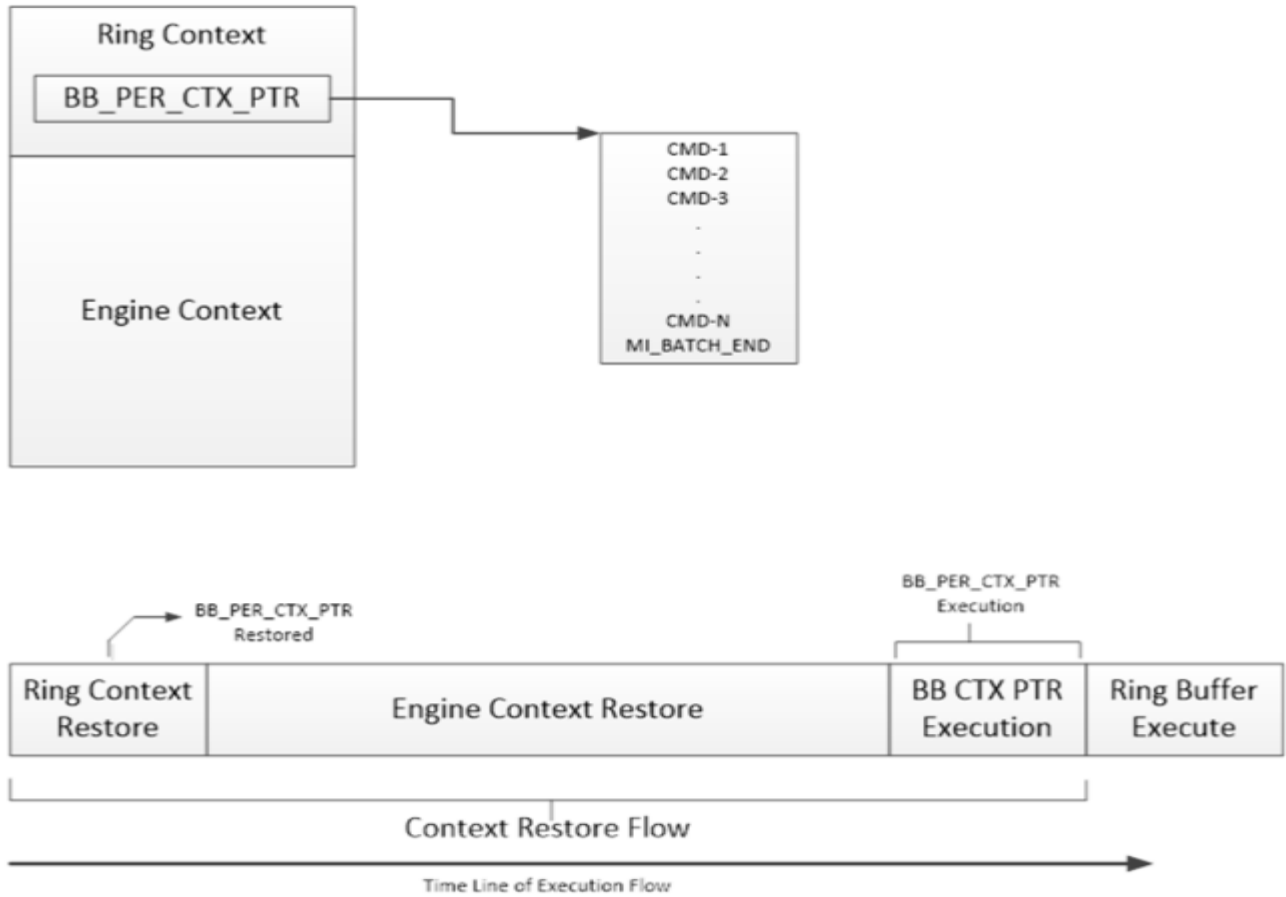
As shown in the figure below, this workaround buffer can be invoked at any cacheline aligned offset in the engine context.



Command streamer, when enabled through "INDIRECT_CTX" provides a mechanism to pause executing context restore on a given cacheline aligned offset in the engine context image and execute a command sequence from a command buffer before resuming context restore flow. This command buffer execution during context restore is referred to as "Indirect Context Pointer" execution. The start address and the size of the command buffer to be executed is provided through "INDIRECT_CTX" register and the offset in the engine context restore is provided through "INDIRECT_CTX_OFFSET". "INDIRECT_CTX" and "INDIRECT_CTX_OFFSET" registers are part of the context image and gets restored as part of the given context's context restore flow, these registers are part of the ring context image which are prior to engine context restore and hence the requirement of the offset being in engine context restore. "Indirect Context Pointer" is always in the GGTT address space of the virtual function or physical function from which the context is submitted. "Indirect context pointer" can be programmed differently for each context providing flexibility to execute different command sequence as part of "Indirect Context Pointer" execution during context restore flows.

Post Context Restore Workaround Batch Buffer

As shown in the figure, this workaround buffer is invoked at the end of the context restore.



Command streamer, when enabled through "BB_PER_CTX_PTR" provides a mechanism to execute a command sequence from a batch buffer at the end of the context restore flow during context switch process. This batch buffer is referred to as "Context Restore Batch Buffer". The batch start address for the "Context Restore Batch Buffer" gets programmed through "BB_PER_CTX_PTR", which is part of the context image and gets restored as part of the given context's context restore flow. "Context Restore Batch Buffer" execution begins (like a regular batch buffer) after the completion of fetching and execution of all the commands for the context restore flow. "Context Restore Batch Buffer" execution ends on executing MI_BATCH_BUFFER_END in the command sequence. "Context Restore Batch Buffer" is always in the GGTT address space of the virtual function or physical function from which the context is submitted. "BB_PER_CTX_PTR" can be programmed differently for every context giving flexibility to execute different command sequence (batch buffers) as part of "Context Restore Batch Buffer" execution or can be programmed to disable execution of the "Context Restore Batch Buffer" for a given context.

This mechanism is especially helpful in programming a set of commands/state that has to be always executed prior to executing a workload from a context every time it is submitted to HW for execution. Limited capability is built for "Context Restore Batch Buffer" unlike a regular MI_BATCH_BUFFER_START due to envisioned usage model, refer BB_PER_CTX_PTR for detailed programming notes.

Command Streamer Command Formats

This section describes the general format of the command streamer commands.

Command streamer commands are defined with various formats. The first DWord of all commands is called the *header* DWord. The header contains the only field common to all commands, the *client* field that determines the device unit that processes the command data. The Command Parser examines the client field of each command to condition the further processing of the command and route the command data accordingly.

Command streamer commands vary in length, though are always multiples of DWords. The length of a command is either:

- Implied by the client/opcode
- Fixed by the client/opcode yet included in a header field (so the Command Parser explicitly knows how much data to copy/process)
- Variable, with a field in the header indicating the total length of the command

Note that command *sequences* require QWord alignment and padding to QWord length to be placed in Ring and Batch Buffers.

The following subsections provide a brief overview of the command streamer commands by client type provides a diagram of the formats of the header DWords for all commands. Following that is a list of command mnemonics by client type.

Command Header

Engine Command Header Format

Type	Bits	
	31:29	28:0
Memory Interface (MI)	000	
Engine Command	010, 011	
Reserved	001, 100, 101, 110, 111	

Memory Interface Commands

Memory Interface (MI) commands are basically those commands which do not require processing by the 2D or 3D Rendering/Mapping engines. The functions performed by these commands include:

- Control of the command stream (e.g., Batch Buffer commands, breakpoints, ARB On/Off, etc.)
- Hardware synchronization (e.g., flush, wait-for-event)
- Software synchronization (e.g., Store DWORD, report head)
- Graphics buffer definition (e.g., Display buffer, Overlay buffer)
- Miscellaneous functions

All of the following commands are defined in *Memory Interface Commands*.



Memory Interface Commands for RCP

Opcode (28:23)	Command	Pipes
1 DWord		
00h	MI_NOOP	All
01h	MI_SET_PREDICATE	All
02h	MI_USER_INTERRUPT	All
03h	MI_WAIT_FOR_EVENT	Render, Blitter
04h	MI_WAIT_FOR_EVENT_2	Render, Blitter
05h	MI_ARB_CHECK	All
07h	MI_REPORT_HEAD	All
08h	MI_ARB_ON_OFF	All except Blitter
0Ah	MI_BATCH_BUFFER_END	All
0Bh	MI_SUSPEND_FLUSH	All
0Ch	MI_PREDICATE	Render
2+ DWord		
10h	Reserved	
12h	MI_LOAD_SCAN_LINES_INCL	Render and Blitter
13h	MI_LOAD_SCAN_LINES_EXCL	Render and Blitter
14h	MI_DISPLAY_FLIP	Render and Blitter
15h	Reserved	
17h	Reserved	
18h	MI_SET_CONTEXT	Render
1Ah	MI_MATH	All
1Bh	MI_SEMAPHORE_SIGNAL	All
1Ch	MI_SEMAPHORE_WAIT	All
1Dh	MI_FORCE_WAKEUP	All except Render
1Fh	Reserved	
Store Data		
20h	MI_STORE_DATA_IMM	All
21h	MI_STORE_DATA_INDEX	All
22h	MI_LOAD_REGISTER_IMM	All
23h	MI_UPDATE_GTT	All
24h	MI_STORE_REGISTER_MEM	All
26h	MI_FLUSH_DW	All except Render
27h	MI_CLFLUSH	Render
29h	MI_LOAD_REGISTER_MEM	All
2Ah	MI_LOAD_REGISTER_REG	All

Opcode (28:23)	Command	Pipes
2Eh	MI_MEM_TO_MEM	All
2Fh	MI_ATOMIC	All
Ring/Batch Buffer		
30h	Reserved	
31h	MI_BATCH_BUFFER_START	Render
32h-35h	Reserved	
36h	MI_CONDITIONAL_BATCH_BUFFER_END	All
37h-38h	Reserved	
39h	Reserved	All
39h-3Fh	Reserved	



Execution Control Infrastructure

This section describes the hardware infrastructure that can be used to control command execution.

Watchdog Timers

Watchdog Counter Control

The Watchdog Counter Control determines if the watchdog is enabled, disabled and count mode. The watchdog is enabled is when the value of the register [30:0] is equal to zero([30:0] = 'd0). If enabled, then the Watchdog Counter is allowed to increment. The watchdog is disabled is when the value of the register [30:0] is equal to one where only bit zero is a value of '1'([30:0] = 0x00000001). If disabled, then the value of Watchdog Counter is reset to a value of zero. Bit 31, specifies the counting mode. If bit 31 is zero, then we will count based timestamp toggle(refer to Reported Timestamp Count register for toggle time). If bit 31 is one, then we will count every ungated GPU clock.

This register is context saved as part of engine context.

Watchdog Counter Threshold

If the Watchdog Counter Threshold is equal to Watchdog Counter, then the interrupt bit is set in the IIR(bit 6) and the Watchdog Counter is reset to zero.

This register is context saved as part of engine context.

Watchdog Counter

The Watchdog Counter is the count value of the watchdog timer. The Counter can be reset due to the Watchdog Counter Control being disabled or being equal to the Watchdog Counter Threshold. The increment of the Watchdog counter is enabled when the Watchdog Counter Control is enabled and the current context is valid and execlist is enabled which includes the time to execute, flush and save the context.

The increment of the Watchdog counter is under the following conditions:

- Watchdog timer is enabled.
- Context is valid

The increment granularity is based controlled by Watchdog Counter Control mode(bit 31).

This register is not context saved and restored.

Predication

Predicate Render Registers

Register
MI_PREDICATE_SRC0 - Predicate Rendering Temporary Register0
MI_PREDICATE_SRC1 - Predicate Rendering Temporary Register1
MI_PREDICATE_DATA - Predicate Rendering Data Storage
MI_PREDICATE_RESULT - Predicate Rendering Data Result
MI_PREDICATE_RESULT_1 - Predicate Rendering Data Result 1
MI_PREDICATE_RESULT_2 - Predicate Rendering Data Result 2

MI_SET_PREDICATE

MI_SET_PREDICATE is a command that allows the driver to conditionally execute or skip a command during execution time, as detailed in the instruction definition:

The following is a list of commands that can be programmed when the PREDICATE ENABLE field in MI_SET_PREDICATE allows predication. Commands not listed here will have undefined behavior when executed with predication enabled:

Command
3DSTATE_URB_VS
3DSTATE_URB_HS
3DSTATE_URB_DS
3DSTATE_URB_GS
3DSTATE_PUSH_CONSTANT_ALLOC_VS
3DSTATE_PUSH_CONSTANT_ALLOC_HS
3DSTATE_PUSH_CONSTANT_ALLOC_DS
3DSTATE_PUSH_CONSTANT_ALLOC_GS
3DSTATE_PUSH_CONSTANT_ALLOC_PS
MI_LOAD_REGISTER_IMM
MI_STORE_DATA_IMM
3DSTATE_WM_HZ_OP
MEDIA_VFE_STATE
MEDIA_OBJECT
MEDIA_OBJECT_WALKER
MEDIA_INTERFACE_DESCRIPTOR_LOAD

MI_PREDICATE

The MI_PREDICATE command is used to control the Predicate state bit, which in turn can be used to enable/disable the processing of 3DPRIMITIVE commands.

MI_PREDICATE

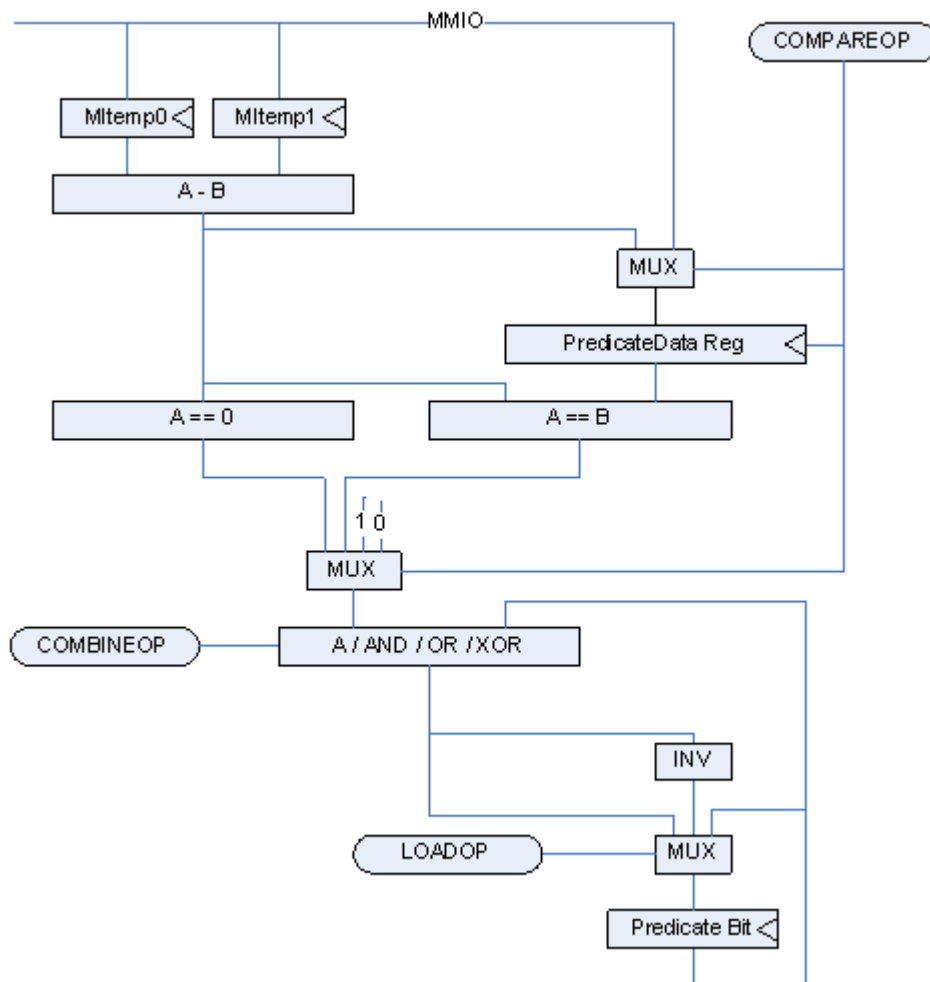
Predicated Rendering Support in HW

DX10 defines predicated rendering, where sequences of rendering commands can be discarded based on the result of a previous predicate test. A new state bit, Predicate, has been added to the command stream. In addition, a PredicateEnable bit is added to 3DPRIMITIVE. When the PredicateEnable bit is set, the command is ignored if the Predicate state bit is set.

A new command, MI_PREDICATE, is added. It contains several control fields which specify how the Predicate bit is generated.

Refer to the diagram below and the command description (linked above) for details.

MI_PREDICATE Function



MI_LOAD_REGISTER_MEM commands can be used to load the MItemp0, MItemp1, and PredicateData registers prior to MI_PREDICATE. To ensure the memory sources of the MI_LOAD_REGISTER_MEM commands are coherent with previous 3D_PIPECONTROL store-DWord operations, software can use the new **Pipe Control Flush Enable** bit in the PIPE_CONTROL command.

CS ALU Programming and Design

Command streamer implements a rudimentary ALU which supports basic Arithmetic (Addition and Subtraction) and logical operations (AND, OR, XOR) on two 64bit operands. ALU has two 64bit registers at the input SRCA and SRCB to which the operands should be loaded on which operations will be performed and outputted to a 64 bit Accumulator. Zero Flag and Carry Flag are set based on accumulator output.

Access to this ALU is thru the **MI_MATH** command.

CS_GPR - Command Streamer General Purpose Registers

Following are Command Streamer General Purpose Registers:

CS_GPR - General Purpose Register

Command Streamer (CS) ALU Programming

The command streamer implements a rudimentary Arithmetic Logic Unit (ALU) which supports basic arithmetic (Addition and Subtraction) and logical operations (AND, OR, XOR) on two 64-bit operands.

The ALU has two 64-bit registers at the input, SRCA and SRCB, to which source operands are loaded. The ALU result is written to a 64-bit accumulator. The Zero Flag and Carry Flag are assigned based on the accumulator output.

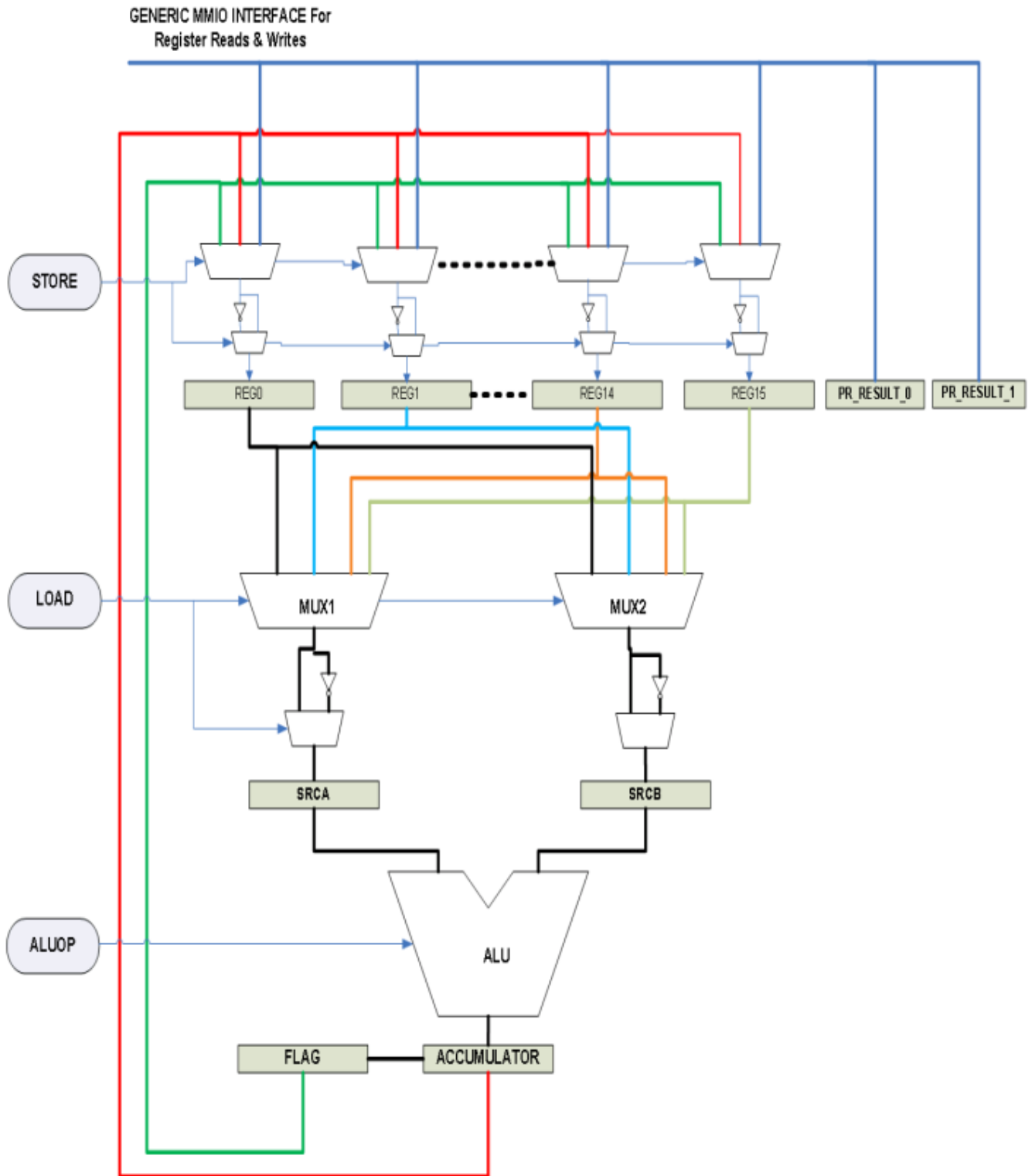
See the ALU Programming section in the Render Engine Command Streamer, for a description of the ALU programming model. Programming model is the same for all command streamers that support ALU, but each command streamer uses its own MMIO address range to address the registers. The following subsections describe the ALU registers and the programming details.

CS ALU Programming and Design

Generic Purpose Registers

Command streamer implements sixteen 64-bit General-Purpose Registers which are MMIO mapped. These registers can be accessed similar to any other MMIO mapped registers through LRI, SRM, LRR, LRM or CPU access path for reads and writes. These registers will be labeled as R0, R1, ... R15 throughout the discussion. Refer table in the B-spec update section mapping these registers to corresponding MMIO offset. A selected GPR register can be moved to SRCA or SRCB register using "LOAD" instruction. Outputs of the ALU, Accumulator, ZF and CF can be moved to any of the GPR using "STORE" instruction.

ALU BLOCK Diagram



Instruction Set

The instructions supported by the ALU can be broadly categorized into three groups:

- To move data from GPR to SRCA/SRCB - LOAD instruction.
- To move data from ACCUMULATOR/CF/ZF to GPR - STORE Instruction.
- To do arithmetic/Logical operations on SRCA and SRCB of ALU - ADD/SUB/AND/XOR/OR. Note: Accumulator is loaded with value of SRCA - SRCB on a subtraction.

Instruction Format

Each instruction is one Dword in size and consists of an ALU OPCODE, OPERAND1 and OPERAND2 in the format shown below.

ALU OPCODE	Operand-1	Operand-2
12 bits	10 bits	10 bits

NOOP and FENCE Operations

NOOP operation has does no operation but will delay and add operation idle time between commands.

Opcode	Operand1	Operand2
31:20	19:10	9:0
NOOP	N/A	N/A

Arithmetic/Logical Operations

ADD, SUB, AND, OR, and XOR are the Arithmetic and Logical operations supported by Arithmetic Logic Unit (ALU). When opcode corresponding to a logical operation is performed on SRCA and SRCB, the result is sent to ACCUMULATOR (ACCU), CF and ZF. Note that ACCU is 64-bit register. A NOOP when submitted to the ALU doesn't do anything, it is meant for creating bubble or kill cycles.

Opcode	Operand1	Operand2
31:20	19:10	9:0
ADD	N/A	N/A
SUB	N/A	N/A
OR	N/A	N/A
XOR	N/A	N/A

LOAD Operation

The LOAD instruction moves the content of the destination register (Operand2) into the source register (Operand1). The destination register can be any of the GPR (R0, R1, ..., R15) and the source registers are SRCA and SRCB of the ALU. This is the only means SRCA and SRCB can be programmed.



LOAD has different flavors, wherein one can load the inverted version of the source register into the destination register or a hard-coded value of all Zeros and All ones.

```
// Loads any of Reg0 to Reg15 into the SRCA or SRCB registers of ALU.  
LOAD <SRCA, SRCB>, <REG0..REG15>  
  
// Loads inverted (bit wise) value of the mentioned Reg0 to 15 into SRCA or SRCB registers of ALU.  
LOADINV <SRCA, SRCB>, <REG0..REG15>  
  
// Loads "0" into SRCA or SRCB  
LOAD0 <SRCA, SRCB>  
  
// Loads "1" into SRCA or SRCB  
LOAD1 <SRCA, SRCB>
```

Opcode	Operand1	Operand2
31:20	19:10	9:0
LOAD	SRCA/SRCB	R0,R1..R15
LOADINV	SRCA/SRCB	R0,R1..R15
LOAD0	SRCA/SRCB	N/A
LOAD1	SRCA/SRCB	N/A

STORE Operation

The STORE instruction moves the content of the destination register (Operand2) into the source register (Operand1). The source register can be accumulator (ACCU), CF or ZF. STORE has different flavors, wherein one can load the inverted version of the source register into destination register via STOREINV. When CF or ZF are stored, the same value is replicated on all 64 bits.

```
// Loads ACCUMULATOR or Carry Flag or Zero Flag in to any of the generic registers  
// Reg0 to Reg16. In case of CF and ZF same value is replicated on all the 64 bits.  
  
STORE <R0.. R15>, <ACCU, CF, ZF >  
  
// Loads inverted (ACCUMULATOR or Carry Flag or Zero Flag) in to any of the  
// generic registers Reg0 to Reg15.  
  
STOREINV <R0.. R15>, <ACCU, CF, ZF>
```

Opcode	Operand1	Operand2
31:20	19:10	9:0
STORE	R0,R1..R15	ACCU/ZF/CF
STOREINV	R0,R1..R15	ACCU/ZF/CF

Summary for ALU

Total Opcodes Supported: 12

Total Addressable Registers as source or destination: 21

- 16 GPR (R0, R1 ...R15)
- 1 ACCU
- 1ZF
- 1CF
- SRCA, SRCB

Summary of Instructions Supported

31	20	19	10	9	0
Opcode		Operand1		Operand2	
LOAD		SRCA/SRCB		REG0..REG15	
LOADINV		SRCA/SRCB		REG0..REG15	
LOAD0		SRCA/SRCB		N/A	
LOAD1		SRCA/SRCB		N?A	
ADD		N/A		N/A	
SUB		N/A		N/A	
AND		N/A		N/A	
OR		N/A		N/A	
XOR		N/A		N/A	
NOOP		N/A		N/A	
STORE		REG0..REG15		ACCU/CF/ZF	
STOREINV		REG0..REG15		ACCU/CF/ZF	

Table for ALU OPCODE Encodings

In the above-mentioned table, ALU Opcode Encodings look like random numbers. The rationale behind those encodings is because the ALU Opcode is further broken down into sub-sections for ease-of-design implementation.

PREFIX		OPCODE		SUBOPCODE	
11	10	9	7	6	0
PREFIX VALUE		Description			
0		Regular			
1		Invert			
OPCODE VALUE		Description			
0		NOOP			



PREFIX	OPCODE	SUBOPCODE	
1	LOAD		
2	ALU		
3	STORE		

ALU OPCODE	OPCODE ENCODING	PREFIX(11:10)	OPCODE(9:7)	SUB-OPCODE(6:0)
NOOP	0x000	0	0	0
LOAD	0x080	0	1	0
LOADINV	0x480	1	1	0
LOAD0	0x081	0	1	1
LOAD1	0x481	1	1	1
ADD	0x100	0	2	0
SUB	0x101	0	2	1
AND	0x102	0	2	2
OR	0x103	0	2	3
XOR	0x104	0	2	4
STORE	0x180	0	3	0
STOREINV	0x580	1	3	0

Table for Register Encodings

Register	Register Encoding
R0	0x0
R1	0x1
R2	0x2
R3	0x3
R4	0x4
R5	0x5
R6	0x6
R7	0x7
R8	0x8
R9	0x9
R10	0xa
R11	0xb
R12	0xc
R13	0xd
R14	0xe
R15	0xf
SRCA	0x20

Register	Register Encoding
SRCB	0x21
ACCU	0x31
ZF	0x32
CF	0x33

MI Commands for Graphics Processing Engines

This chapter lists the MI Commands that are supported by Generic Command Streamer Front End implemented in the graphics processing engines (Render, Video, Blitter and Video Enhancement).

Command
MI_NOOP
MI_ARB_CHECK
MI_ARB_ON_OFF
MI_BATCH_BUFFER_START
MI_CONDITIONAL_BATCH_BUFFER_END
MI_DISPLAY_FLIP
MI_LOAD_SCAN_LINES_EXCL
MI_LOAD_SCAN_LINES_INCL
MI_MATH
MI_REPORT_HEAD
MI_STORE_DATA_IMM
MI_STORE_DATA_INDEX
MI_ATOMIC
MI_COPY_MEM_MEM
MI_LOAD_REGISTER_REG
MI_LOAD_REGISTER_MEM
MI_STORE_REGISTER_MEM
MI_USER_INTERRUPT
MI_WAIT_FOR_EVENT
MI_SEMAPHORE_SIGNAL
MI_SEMAPHORE_WAIT



Register Access and User Mode Privileges

This section describes access to the MMIO internal to the GPU and funny I/O and how to access the ranges. Command streamer limits accesses for commands that are executed out of a PPGTT batch buffer. This is also referred to a non-privilege command buffer.

Below are the Base Addresses of each command streamer and engine blocks. While this is not all the ranges, it is the ones used to reference which registers are accessible or restricted by command streamer.

Unit	MMIO Base Offset	Description
RCS	0x2000	Render Command Streamer
POCS	0x18000	Position Command Streamer
BCS	0x22000	Blitter Command Streamer
CCS0	0x1A000	Compute Command Streamer 0
VCS/MFC	0x1C0000	Video Command Streamer 0
VCS1/MFC	0x1C4000	Video Command Streamer 1
VCS2/MFC	0x1D0000	Video Command Streamer 2
VCS3/MFC	0x1D4000	Video Command Streamer 3
VCS4/MFC	0x1E0000	Video Command Streamer 4
VCS5/MFC	0x1E4000	Video Command Streamer 5
VCS6/MFC	0x1F0000	Video Command Streamer 6
VCS7/MFC	0x1F4000	Video Command Streamer 7
VECS/MFC	0x1C8000	Video Enhancement Command Streamer 0
VECS1	0x1D8000	Video Enhancement Command Streamer 1
VECS2	0x1E8000	Video Enhancement Command Streamer 2
VECS3	0x1F8000	Video Enhancement Command Streamer 3
AV1/VDBOX0	0x1C2B00	AV1/Video Decode Block
AV1/VDBOX1	0x1C6B00	
AV1/VDBOX2	0x1D2B00	
AV1/VDBOX3	0x1D6B00	
AV1/VDBOX4	0x1E2B00	
AV1/VDBOX5	0x1E6B00	
AV1/VDBOX6	0x1F2B00	
AV1/VDBOX7	0x1F6B00	
HEVC	0x1C2800	
HEVC1	0x1C6800	
HEVC2	0x1D2800	
HEVC3	0x1D6800	
HEVC4	0x1E2800	
HEVC5	0x1E6800	

Unit	MMIO Base Offset	Description
HEVC6	0x1F2800	
HEVC7	0x1F6800	
VDENC	0x1c2d00	
VDENC1	0x1c6d00	
VDENC2	0x1d2d00	
VDENC3	0x1d6d00	
VDENC4	0x1e2d00	
VDENC5	0x1e6d00	
VDENC6	0x1f2d00	
VDENC7	0x1f6d00	

Read Only User Mode Privilege MMIO Access

The tables below specify the offsets that are allowed for MMIO reads within a non-privileged batch buffer (PPGTT). This is in addition to what is already allowlisted for writes in the User Mode Privileged Commands section. Refer to Register Access and User Mode Privileges section for Base address for the below offsets.

CS means all command streamers.

Read Only Whitelist

Name	Base Address (default=none)	MMIO Offset (hex)	Size in DW
All Command Streamers			
OAG_PERF_<x>		2700	64
OAG_PERF_<x>		2B00	320
OAG_PERF_<x>		D900	192
RenderCS / PositionCS			
GPU_TIMESTAMP		2358	2
GPU_TIMESTAMP		18358	2
CS_ENGINE_ID		1808C	1
RP_STATUS0		A01C	1
OAR_PERF_<x>		2800	192
GFXREG_GT		145040	7
GFXREG_IA		145828	13
GFXREG_IO		145928	24
GFXREG_UNSLICE_FF_CTRL_FLC_THRSHLD1		A288	1
GFXREG_UNSLICE_FF_CTRL_FLC_THRSHLD2		A28C	1
GFXREG_UNSLICE_FF_COUNT1		A538	1
GFXREG_UNSLICE_FF_COUNT2		A53C	1

Name	Base Address (default=none)	MMIO Offset (hex)	Size in DW
GFXREG_RPPREVUP		A058	1
GFXREG_RPPREVDN		A064	1
GFXREG_RPUPEI		A068	1
GFXREG_RPDNEI		A06C	1
GFXREG_GT_GFX_RC6		138108	1
GFXREG_GT_GFX_RC6P		13810C	1
CS_CTX_TIMESTAMP		23A8	1
OASTATUS		DAFC	1
OAHEADPTR		DB00	1
OATAILPTR		DB04	1
ComputeCS			
GPU_TIMESTAMP	CCS	358	2
RP_STATUS0		A01C	1
GFXREG_GT		145040	7
GFXREG_IA		145828	13
GFXREG_IO		145928	24
GFXREG_UNSLICE_FF_CTRL_FLC_THRSHLD1		A288	1
GFXREG_UNSLICE_FF_CTRL_FLC_THRSHLD2		A28C	1
GFXREG_UNSLICE_FF_COUNT1		A538	1
GFXREG_UNSLICE_FF_COUNT2		A53C	1
GFXREG_RPPREVUP		A058	1
GFXREG_RPPREVDN		A064	1
GFXREG_RPUPEI		A068	1
GFXREG_RPDNEI		A06C	1
GFXREG_GT_GFX_RC6		138108	1
GFXREG_GT_GFX_RC6P		13810C	1
CS_CTX_TIMESTAMP	CCS	3A8	1
OASTATUS		DAFC	1
OAHEADPTR		DB00	1
OATAILPTR		DB04	1
OAC_PERF_<x>		15000	160
BlitterCS			
GPU_TIMESTAMP		22358	2
RP_STATUS0		A01C	1
PERFCNT1_LSB		91B8	1
PERFCNT1_MSB		91BC	1
PERFCNT2_LSB		91C0	1

Name	Base Address (default=none)	MMIO Offset (hex)	Size in DW
PERFCNT2_MSB		91C4	1
GFXREG_GT		145040	7
GFXREG_IA		145828	13
GFXREG_IO		145928	24
GFXREG_UNSLICE_FF_CTRL_FLC_THRSHLD1		A288	1
GFXREG_UNSLICE_FF_CTRL_FLC_THRSHLD2		A28C	1
GFXREG_UNSLICE_FF_COUNT1		A538	1
GFXREG_UNSLICE_FF_COUNT2		A53C	1
GFXREG_RPPREVUP		A058	1
GFXREG_RPPREVDN		A064	1
GFXREG_RPUPEI		A068	1
GFXREG_RPDNEI		A06C	1
GFXREG_GT_GFX_RC6		138108	1
GFXREG_GT_GFX_RC6P		13810C	1
OASTATUS		DAFC	1
OAHEADPTR		DB00	1
OATAILPTR		DB04	1
VideoCS			
GPU_TIMESTAMP	VCS	358	2
RP_STATUS0		A01C	1
PERFCNT1_LSB		91B8	1
PERFCNT1_MSB		91BC	1
PERFCNT2_LSB		91C0	1
PERFCNT2_MSB		91C4	1
GFXREG_GT		145040	7
GFXREG_IA		145828	13
GFXREG_IO		145928	24
GFXREG_UNSLICE_FF_CTRL_FLC_THRSHLD1		A288	1
GFXREG_UNSLICE_FF_CTRL_FLC_THRSHLD2		A28C	1
GFXREG_UNSLICE_FF_COUNT1		A538	1
GFXREG_UNSLICE_FF_COUNT2		A53C	1
GFXREG_RPPREVUP		A058	1
GFXREG_RPPREVDN		A064	1
GFXREG_RPUPEI		A068	1
GFXREG_RPDNEI		A06C	1
GFXREG_GT_GFX_RC6		138108	1
GFXREG_GT_GFX_RC6P		13810C	1

Name	Base Address (default=none)	MMIO Offset (hex)	Size in DW
hucStatusRegOffset	HUC	0	1
hucUKernelHdrInfoRegOffset	HUC	14	1
hucStatus2RegOffset	HUC	3B0	1
CS_ENGINE_ID	VCS	8C	1
OASTATUS		DAFC	1
OAHEADPTR		DB00	1
OATAILPTR		DB04	1
Perf Profiler Timer Reg		D00	1
VideoEnhancementCS			
GPU_TIMESTAMP	VECS	358	2
RP_STATUS0		A01C	1
PERFCNT1_LSB		91B8	1
PERFCNT1_MSB		91BC	1
PERFCNT2_LSB		91C0	1
PERFCNT2_MSB		91C4	1
GFXREG_GT		145040	7
GFXREG_IA		145828	13
GFXREG_IO		145928	24
GFXREG_UNSLICE_FF_CTRL FLC_THRSHLD1		A288	1
GFXREG_UNSLICE_FF_CTRL FLC_THRSHLD2		A28C	1
GFXREG_UNSLICE_FF_COUNT1		A538	1
GFXREG_UNSLICE_FF_COUNT2		A53C	1
GFXREG_RPPREVUP		A058	1
GFXREG_RPPREVDN		A064	1
GFXREG_RPUPEI		A068	1
GFXREG_RPDNEI		A06C	1
GFXREG_GT_GFX_RC6		138108	1
GFXREG_GT_GFX_RC6P		13810C	1
CS_ENGINE_ID	VECS	8C	1
OASTATUS		DAFC	1
OAHEADPTR		DB00	1
OATAILPTR		DB04	1

User Mode Privileged Commands

A subset of the commands are privileged. These commands may be issued only from a privileged batch buffer or directly from a ring. Batch buffers in GGTT memory space are privileged and batch buffers in PPGTT memory space are non-privileged. On parsing privileged command from a non-privileged batch

buffer, a Command Privilege Violation Error is flagged and the command is dropped. Command Privilege Violation Error is logged in Error identity register of command streamer which gets propagated as "Command Parser Violation Error" interrupt to SW. Privilege access violation checks in HW can be disabled by setting "Privilege Check Disable" bit in GFX_MODE register. When privilege access checks are disabled HW executes the Privilege command as expected.

User Mode Privileged Commands

User Mode Privileged Command	Function in Non-Privileged Batch Buffers	Source
MI_UPDATE_GTT	Command is converted to NOOP.	*CS
MI_STORE_DATA_IMM	Command is converted to NOOP if Use Global GTT is enabled.	*CS
MI_STORE_DATA_INDEX	Command is converted to NOOP.	*CS
MI_STORE_REGISTER_MEM	Register read is always performed. Memory update is dropped if Use Global GTT is enabled.	*CS
MI_BATCH_BUFFER_START	Command when executed from a batch buffer can set its "Privileged" level to its parent batch buffer or lower. Chained or Second level batch buffer can be "Privileged" only if the parent or the initial batch buffer is "Privileged". This is HW enforced.	*CS
MI_LOAD_REGISTER_IMM	Command is converted to NOOP if the register accessed is privileged.	*CS
MI_LOAD_REGISTER_MEM	Command is converted to NOOP if Use Global GTT is enabled. Command is converted to NOOP if the register accessed is privileged.	*CS
MI_LOAD_REGISTER_REG	Register write to a Privileged Register is discarded.	*CS
MI_REPORT_PERF_COUNT	Command is converted to NOOP if Use Global GTT is enabled.	Render CS
PIPE_CONTROL	Still send flush down, Post-Sync Operation is NOOP if Use Global GTT or Use "Store Data Index" is enabled. Post-Sync Operation LRI to Privileged Register is discarded.	Render CS, ComputeCS
MI_SET_CONTEXT	Command is converted to NOOP.	Render CS, ComputeCS
MI_ATOMIC	Command is converted to NOOP if Use Global GTT is enabled.	*CS
MI_COPY_MEM_MEM	Command is converted to NOOP if Use Global GTT is used for source or destination address.	*CS
MI_SEMAPHORE_WAIT	Command is converted to NOOP if Use Global GTT is	*CS



User Mode Privileged Command	Function in Non-Privileged Batch Buffers	Source
	enabled.	
MI_ARB_ON_OFF	Command is converted to NOOP.	*CS
MI_DISPLAY_FLIP	Command is converted to NOOP.	*CS
MI_CONDITIONAL_BATCH_BUFFER_END	Command is converted to NOOP if Use Global GTT is enabled.	*CS
MI_FLUSH_DW	Still send flush down, Post-Sync Operation is converted to NOOP if Use Global GTT or Use "Store Data Index" is enabled.	Blitter CS, Video CS, Video Enhancement CS

Parsing one of the commands in the table above from a non-privileged batch buffer flags an error and converts the command to a NOOP.

The tables below list the non-privileged registers that can be written to from a non-privileged batch buffer executed from various command streamers.

The tables below also are part of the allowed registers allowed to be read by a non-Privileged (PPGTT) batch buffer. Refer to Read Only User Mode Privilege MMIO Access section for the rest of the allowable registers for read access.

User Mode Non-Privileged Registers for Render Command Streamer (RCS) and POSH Command Streamer (POCS)

MMIO Name	MMIO Offset	Size in DWords
Cache_Mode_0	0x7000	1
Cache_Mode_1	0x7004	1
GT_MODE	0x7008	1
NOPID	0x2094	1
NOPID (POCS)	0x18094	1
INSTPM	0x20C0	1
INSTPM (POCS)	0x180C0	1
IA_VERTICES_COUNT	0x2310	2
IA_VERTICES_COUNT (POSH)	0x18310	2
IA_PRIMITIVES_COUNT	0x2318	2
IA_PRIMITIVES_COUNT (POSH)	0x18318	2
VS_INVOCATION_COUNT	0x2320	2
VS_INVOCATION_COUNT (POSH)	0x18320	2
HS_INVOCATION_COUNT	0x2300	2
DS_INVOCATION_COUNT	0x2308	2
GS_INVOCATION_COUNT	0x2328	2
GS_PRIMITIVES_COUNT	0x2330	2
SO_NUM_PRIMS_WRITTEN0	0x5200	2
SO_NUM_PRIMS_WRITTEN1	0x5208	2

MMIO Name	MMIO Offset	Size in DWords
SO_NUM_PRIMS_WRITTEN2	0x5210	2
SO_NUM_PRIMS_WRITTEN3	0x5218	2
SO_PRIM_STORAGE_NEEDED0	0x5240	2
SO_PRIM_STORAGE_NEEDED1	0x5248	2
SO_PRIM_STORAGE_NEEDED2	0x5250	2
SO_PRIM_STORAGE_NEEDED3	0x5258	2
SO_WRITE_OFFSET0	0x5280	1
SO_WRITE_OFFSET1	0x5284	1
SO_WRITE_OFFSET2	0x5288	1
SO_WRITE_OFFSET3	0x528C	1
CL_INVOCATION_COUNT	0x2338	2
CL_INVOCATION_COUNT (POSH)	0x18338	2
CL_PRIMITIVES_COUNT	0x2340	2
CL_PRIMITIVES_COUNT (POSH)	0x18340	2
PS_INVOCATION_COUNT	0x2348	2
PS_DEPTH_COUNT	0x2350	2
PS_INVOCATION_COUNT_0	0x22C8	2
PS_DEPTH_COUNT_0	0x22D8	2
PS_INVOCATION_COUNT_1	0x22F0	2
PS_DEPTH_COUNT_1	0x22F8	2
PS_INVOCATION_COUNT_2	0x2448	2
PS_DEPTH_COUNT_2	0x2450	2
PS_INVOCATION_COUNT_3	0x2458	2
PS_DEPTH_COUNT_3	0x2460	2
PS_INVOCATION_COUNT_4	0x2468	2
PS_DEPTH_COUNT_4	0x2470	2
PS_INVOCATION_COUNT_5	0x24A0	2
PS_DEPTH_COUNT_5	0x24A8	2
PS_INVOCATION_COUNT_6	0x25D0	2
PS_DEPTH_COUNT_6	0x25B0	2
PS_INVOCATION_COUNT_7	0x25D8	2
PS_DEPTH_COUNT_7	0x25B8	2
CPS_INVOCATION_COUNT	0x2478	2
GPUGPU_DISPATCHDIMX	0x2500	1
GPUGPU_DISPATCHDIMY	0x2504	1
GPUGPU_DISPATCHDIMZ	0x2508	1
MI_PREDICATE_SRC0	0x2400	1



MMIO Name	MMIO Offset	Size in DWords
MI_PREDICATE_SRC0 (POSH)	0x18400	1
MI_PREDICATE_SRC0	0x2404	1
MI_PREDICATE_SRC0 (POSH)	0x18404	
MI_PREDICATE_SRC1	0x2408	1
MI_PREDICATE_SRC1 (POSH)	0x18408	
MI_PREDICATE_SRC1	0x240C	1
MI_PREDICATE_SRC1 (POSH)	0x1840C	
MI_PREDICATE_DATA	0x2410	1
MI_PREDICATE_DATA (POSH)	0x18410	
MI_PREDICATE_DATA	0x2414	1
MI_PREDICATE_DATA (POSH)	0x18414	
MI_PREDICATE_RESULT	0x2418	1
MI_PREDICATE_RESULT (POSH)	0x18418	
MI_PREDICATE_RESULT_1	0x241C	1
MI_PREDICATE_RESULT_1 (POSH)	0x1841C	
MI_PREDICATE_RESULT_2	0x23BC	1
MI_PREDICATE_RESULT_2 (POSH)	0x183BC	
3DPRIM_END_OFFSET	0x2420	1
3DPRIM_END_OFFSET (POSH)	0x18420	1
3DPRIM_START_VERTEX	0x2430	1
3DPRIM_START_VERTEX (POSH)	0x18430	1
3DPRIM_VERTEX_COUNT	0x2434	1
3DPRIM_VERTEX_COUNT (POSH)	0x18434	1
3DPRIM_INSTANCE_COUNT	0x2438	1
3DPRIM_INSTANCE_COUNT (POSH)	0x18438	1
3DPRIM_START_INSTANCE	0x243C	1
3DPRIM_START_INSTANCE (POSH)	0x1843C	1
3DPRIM_BASE_VERTEX	0x2440	1
3DPRIM_BASE_VERTEX (POSH)	0x18440	1
3DPRIM_XP0	0x2690	1
3DPRIM_XP0 (POSH)	0x18690	1
3DPRIM_XP1	0x2694	1
3DPRIM_XP1 (POSH)	0x18694	1
3DPRIM_XP2	0x2698	1
3DPRIM_XP2 (POSH)	0x18698	1
GPGPU_THREADS_DISPATCHED	0x2290	2
BB_OFFSET	0x2158	1

MMIO Name	MMIO Offset	Size in DWords
BB_OFFSET (POCS)	0x18158	1
CS_GPR (1-16)	0x2600	32
CS_GPR (1-16) (POSH)	0x18600	32
OA_CTX_CONTROL	0x2360	1
OA_CTX_CONTROL_MSG	0x2AA0	1
OACTXID	0x2364	1
OAR_OACONTROL	0x2960	1
OAR_DEBUG_REGISTER	0x2964	1
OAR_OASTATUS	0x2968	1
PR_CTR_CTL_RCSUNIT	0x2178	1
PR_CTR_THRSH_RCSUNIT	0x217C	1
VSR_PUSH_CONSTANT_BASE	0xE518	1
PTBR_PAGE_POOL_SIZE_REGISTER	0x18590	1
OVR_CHICKEN2	0x185A0	1
PSS_MODE	0x7038	1
CMD_BUFF_CTL	0x2084	1
Z_DISCARD_EN	0x7040	1
COMMON_SLICE_CHICKEN2	0x7014	1
AUX_TABLE_BASE_ADDR_LOW	0x4200	1
AUX_TABLE_BASE_ADDR_HIGH	0x4204	1
CCS_AUX_INV	0x4208	1
TRTT_CR	0x4400	1
TRTT_VA_RANGE	0x4404	1
TRTT_L3_BASE_LOW	0x4408	1
TRTT_L3_BASE_HIGH	0x440C	1
TR_NULL_GFX	0x4410	1
TRTT_INVALID	0x4414	1
LSQCREG1	0xB100	1
LSQCREG4	0xB118	1
LSQCREG5	0xB158	1
LSQCREG6	0xB15C	1
L3ALLOCREG	0xB134	1
L3TCCNTLREG	0xB138	1



User Mode Non-Privileged Registers for Compute Command Streamer (CCS)

MMIO Name	MMIO Offset	Size in DWords
NOPID	0x1A094	1
INSTPM	0x1A0C0	1
GPUGPU_DISPATCHDIMX	0x1A500	1
GPUGPU_DISPATCHDIMY	0x1A504	1
GPUGPU_DISPATCHDIMZ	0x1A508	1
MI_PREDICATE_SRC0	0x1A400	1
MI_PREDICATE_SRC0	0x1A404	1
MI_PREDICATE_SRC1	0x1A408	1
MI_PREDICATE_SRC1	0x1A40C	1
MI_PREDICATE_DATA	0x1A410	1
MI_PREDICATE_DATA	0x1A414	1
MI_PREDICATE_RESULT	0x1A418	1
MI_PREDICATE_RESULT_1	0x1A41C	1
MI_PREDICATE_RESULT_2	0x1A3BC	1
GPGPU_THREADS_DISPATCHED	0x1A290	2
BB_OFFSET	0x1A158	1
CS_GPR (1-16)	0x1A600	32
PR_CTR_CTL_RCSUNIT	0x1A178	1
PR_CTR_THRSH_RCSUNIT	0x1A17C	1
CMD_BUFF_CTL	0x1A084	1
COMP_CS0_AUX_TABLE_BASE_ADDR_LOW	0x42C0	1
COMP_CS0_AUX_TABLE_BASE_ADDR_HIGH	0x42C4	1
COMP_CS0_CCS_AUX_NV	0x42C8	1
COMP_CTX0_TRTT_CR	0x4580	1
COMP_CTX0_TRTT_VA_RANGE	0x4584	1
COMP_CTX0_TRTT_L3_BASE_LOW	0x4588	1
COMP_CTX0_TRTT_L3_BASE_HIGH	0x458C	1
COMP_CTX0_TRTT_NULL	0x4590	1
COMP_CTX0_TRTT_INVALID	0x4594	1

User Mode Non-Privileged Registers for Blitter Command Streamer(BCS)

MMIO Name	MMIO Offset	Size in DWords
BCS_GPR	0x22600	32
BCS_SWCTRL	0x22200	1
BLIT_CCTL	0x22204	1
PR_CTR_CTL_BCSUNIT	0x22178	1
PR_CTR_THRSH_BCSUNIT	0x2217C	1
BLT_TRTT_CR	0x4480	1
BLT_TRTT_VA_RANGE	0x4484	1
BLT_TRTT_L3_BASE_LOW	0x4488	1
BLT_TRTT_L3_BASE_HIGH	0x448C	1
BLT_TRTT_NULL	0x4490	1
BLT_TRTT_INV	0x4494	1
NOPID	0x22094	1
MI_PREDICATE_RESULT_1	0x2241C	1
MI_PREDICATE_RESULT_2	0x223BC	1
INSTPM	0x220C0	1

Refer to Register Access and User Mode Privileges section for Base address for the below offsets.

User Mode Non-Privileged Registers for Video Enhancement Command Streamer (VECS)

MMIO Name	MMIO Base	MMIO Offset	Size in DWords
VECS_GPR	VECS	0x600	32
PR_CTR_CTL_VECSUNIT	VECS	0x178	1
PR_CTR_THRSH_VECSUNIT	VECS	0x17C	1
NOPID	VECS	0x094	1
MI_PREDICATE_RESULT_1	VECS	0x41C	1
MI_PREDICATE_RESULT_2	VECS	0x3BC	1
INSTPM	VECS	0x0C0	1

* These registers are not at a standard offset from their corresponding CS MMIO base address and hence are stated individually per CS in a separate table below.



User Mode Non-Privileged Registers for Video Command Streamer (ALL VCS)

MMIO Name	Unit Base	MMIO Range	Size in DWords
VCS_GPR	VCS	0x600	32
PR_CTR_CTL_VCSUNIT	VCS	0x178	1
PR_CTR_THRSH_VCSUNIT	VCS	0x17C	1
MFC_VDBOX1	VCS	0x800	512
HEVC	HEVC	0x00	64
VDENC	VDENC	0x00	64
NOPID	VCS	0x094	1
MI_PREDICATE_RESULT_1	VCS	0x41C	1
MI_PREDICATE_RESULT_2	VCS	0x3BC	1
INSTPM	VCS	0x0C0	1

* These registers are not at a standard offset from their corresponding CS MMIO base address and hence are stated individually per CS in a separate table below.

VEBOX-1

MMIO Name	MMIO Base	MMIO Offset	Size in DWords
AUX_TABLE_BASE_ADDR_LOW*	n/a	0x42B0	1
AUX_TABLE_BASE_ADDR_HIGH*	n/a	0x42B4	1
CCS_AUX_INV*	n/a	0x42B8	1
TRTT_CR*	n/a	0x4560	1
TRTT_VA_RANGE*	n/a	0x4564	1
TRTT_L3_BASE_LOW*	n/a	0x4568	1
TRTT_L3_BASE_HIGH*	n/a	0x456C	1
TRTT_NULL*	n/a	0x4570	1
TRTT_INVALID*	n/a	0x4474	1

VDBOX-2

MMIO Name	MMIO Base	MMIO Offset	Size in DWords
AUX_TABLE_BASE_ADDR_LOW*	n/a	0x4290	1
AUX_TABLE_BASE_ADDR_HIGH*	n/a	0x4294	1
CCS_AUX_INV*	n/a	0x4298	1
TRTT_CR*	n/a	0x4520	1
TRTT_VA_RANGE*	n/a	0x4524	1
TRTT_L3_BASE_LOW*	n/a	0x4528	1
TRTT_L3_BASE_HIGH*	n/a	0x452C	1

MMIO Name	MMIO Base	MMIO Offset	Size in DWords
TRTT_NULL*	n/a	0x4530	1
TRTT_INVALID*	n/a	0x4534	1

VDBOX-3

MMIO Name	MMIO Base	MMIO Offset	Size in DWords
AUX_TABLE_BASE_ADDR_LOW*	n/a	0x42A0	1
AUX_TABLE_BASE_ADDR_HIGH*	n/a	0x42A4	1
CCS_AUX_INV*	n/a	0x42A8	1
TRTT_CR*	n/a	0x4540	1
TRTT_VA_RANGE*	n/a	0x4544	1
TRTT_L3_BASE_LOW*	n/a	0x4548	1
TRTT_L3_BASE_HIGH*	n/a	0x454C	1
TRTT_NULL*	n/a	0x4550	1
TRTT_INVALID*	n/a	0x4554	1

Context Management

When the scheduler submits a list of workloads through the execution list, the Command streamer hardware executes one context at a time.

An engine starts executing a context by loading the state (LRCA) in memory that is pointed to by the context descriptor.

The structure of the LRCA are described in subsequent sections.

Global State

There is only one copy of state variables across contexts running on an engine and changing the settings of these variables requires explicit programming of these state variables. Typically, global state variables are programmed only once either at the time of power-on or at the time of GFX driver initialization. Examples of global state include:

- MI registers (HWSTAM, SEMA_WAIT_POLL ..etc)
- Configuration Registers (GFX_MODE ..etc)

The global state of an engine is context save/restored during power-off/on regimes.

Following subsections describe the power context images of engines across generations.



Power Context Image

This section lists the power context image of Video Engine, Copy Engine and Video Enhancement Engine across generations.

CSFE Power context without Display

CSFE Power Context Image with Display

Description	Offset	Unit	# of DW	Address Offset (PWR)	CSFE/CSBE
NOOP		CS	1	0000	CSFE
Load_Register_Immediate header	0x1100_00B5	CS	1	0001	CSFE
GFX_MODE	0x029C	CS	2	0002	CSFE
GHWSP	0x0080	CS	2	0004	CSFE
RC_PSMI_CONTROL	0x0050	CS	2	0006	CSFE
RC_PWRCTX_MAXCNT	0x0054	CS	2	0008	CSFE
CTX_WA_PTR	0x0058	CS	2	000A	CSFE
NOPID	0x0094	CS	2	000C	CSFE
HWSTAM	0x0098	CS	2	000E	CSFE
IMR	0x00A8	CS	2	0010	CSFE
EIR	0x00B0	CS	2	0012	CSFE
EMR	0x00B4	CS	2	0014	CSFE
CMD_CCTL_0	0x00C4	CS	2	0016	CSFE
PREEMPT_DLY	0x0214	CS	2	0018	CSFE
CTXT_PREMP_DBG	0x0248	CS	2	001A	CSFE
WAIT_FOR_RC6_EXIT	0x00CC	CS	2	001C	CSFE
RCS_CTXID_PREEMPTION_HINT	0x04CC	CS	2	001E	CSFE
CS_PREEMPTION_HINT_UDW	0x04C8	CS	2	0020	CSFE
CS_PREEMPTION_HINT	0x04BC	CS	2	0022	CSFE
CCID Register	0x0180	CS	2	0024	CSFE
MI_PREDICATE_RESULT_2	0x03BC	CS	2	0026	CSFE
CTXT_ST_PTR	0x03A0	CS	2	0028	CSFE
CTXT_ST_BUF	0x0370	CS	24	002A	CSFE
CTXT_ST_BUF	0x03C0	CS	24	0042	CSFE
SEMA_WAIT_POLL	0x024C	CS	2	005A	CSFE
IDLEDELAY	0x023C	CS	2	005C	CSFE
RCS_FORCE_TO_NONPRIV_0_11	0x04D0	CS	24	005E	CSFE
RCS_FORCE_TO_NONPRIV_12_15	0x010	CS	8	0076	CSFE
RCS_FORCE_TO_NONPRIV_16_19	0x1D0	CS	8	007E	CSFE
EXECLIST_STATUS_REGISTER	0x0234	CS	2	0086	CSFE

Description	Offset	Unit	# of DW	Address Offset (PWR)	CSFE/CSBE
CXT_OFFSET	0x01AC	CS	2	008A	CSBE
STOP_PARSER_CONTROL	0x0424	CS	2	008C	CSBE
STOP_PARSER_HINT_ADDR	0x0428	Cs	4	008E	CSBE
EXECLIST_SQ_CONTENTS	0x0510-0x054F	CS	32	0092	CSFE
CSB_INTERRUPT_MASK	0x0218	CS	2	00B2	CSFE
EQ_ELEMENT_MASK	0x056C	CS	2	00B4	CSFE
NOOP		CS	8	00B8	CSFE
NOOP		CS	2	00B8	CSFE

CSFE Power Context with Display

CSFE Power Context Image with Display

Description	Offset	Unit	# of DW	Address Offset (PWR)	CSFE/CSBE
NOOP		CS	1	0000	CSFE
Load_Register_Immediate header	0x1100_00C7	CS	1	0001	CSFE
GFX_MODE	0x029C	CS	2	0002	CSFE
GHWSP	0x0080	CS	2	0004	CSFE
RC_PSMI_CONTROL	0x0050	CS	2	0006	CSFE
RC_PWRCTX_MAXCNT	0x0054	CS	2	0008	CSFE
CTX_WA_PTR	0x0058	CS	2	000A	CSFE
NOPID	0x0094	CS	2	000C	CSFE
HWSTAM	0x0098	CS	2	000E	CSFE
IMR	0x00A8	CS	2	0010	CSFE
EIR	0x00B0	CS	2	0012	CSFE
EMR	0x00B4	CS	2	0014	CSFE
CMD_CCTL_0	0x00C4	CS	2	0016	CSFE
PREEMPT_DLY	0x0214	CS	2	0018	CSFE
CTXT_PREMP_DBG	0x0248	CS	2	001A	CSFE
SYNC_FLIP_STATUS	0x02D0	CS	2	001C	CSFE
SYNC_FLIP_STATUS_1	0x02D4	CS	2	001E	CSFE
SYNC_FLIP_STATUS_2	0x02EC	CS	2	0020	CSFE
WAIT_FOR_RC6_EXIT	0x00CC	CS	2	0022	CSFE
RCS_CTXID_PREEMPTION_HINT	0x04CC	CS	2	0024	CSFE
CS_PREEMPTION_HINT_UDW	0x04C8	CS	2	0026	CSFE
CS_PREEMPTION_HINT	0x04BC	CS	2	0028	CSFE
CCID Register	0x0180	CS	2	002A	CSFE
MI_PREDICATE_RESULT_2	0x03BC	CS	2	002C	CSFE

Description	Offset	Unit	# of DW	Address Offset (PWR)	CSFE/CSBE
CTXT_ST_PTR	0x03A0	CS	2	002E	CSFE
CTXT_ST_BUF	0x0370	CS	24	0030	CSFE
CTXT_ST_BUF	0x03C0	CS	24	0048	CSFE
SEMA_WAIT_POLL	0x024C	CS	2	0060	CSFE
IDLEDELAY	0x023C	CS	2	0062	CSFE
DISPLAY MESSAGE FORWARD STATUS	0x02E8	CS	2	0064	CSFE
RCS_FORCE_TO_NONPRIV_0_11	0x04D0	CS	24	0066	CSFE
RCS_FORCE_TO_NONPRIV_12_15	0x010	CS	8	007E	CSFE
RCS_FORCE_TO_NONPRIV_16_19	0x1D0	CS	8	0086	CSFE
EXECLIST_STATUS_REGISTER	0x0234	CS	2	008E	CSFE
CXT_OFFSET	0x01AC	CS	2	0092	CSBE
STOP_PARSER_CONTROL	0x0424	CS	2	0094	CSBE
STOP_PARSER_HINT_ADDR	0x0428	CS	4	0098	CSBE
SYNC_FLIP_STATUS_3	0x02B8	CS	2	009A	CSFE
SYNC_FLIP_STATUS_4	0x02C0	CS	2	009C	CSFE
SYNC_FLIP_STATUS_5	0x02C4	CS	2	009E	CSFE
SYNC_FLIP_STATUS_6	0x01F8	CS	2	00A0	CSFE
DISPLAY MESSAGE FORWARD STATUS_2	0x0188	CS	2	00A2	CSFE
DISPLAY MESSAGE FORWARD STATUS_3	0x018C	CS	2	00A4	CSFE
EXECLIST_SQ_CONTENTS	0x0510-0x054F	CS	32	00A6	CSFE
CSB_INTERRUPT_MASK	0x0218	CS	2	00C6	CSFE
EQ_ELEMENT_MASK	0x056C	CS	2	00C8	CSFE
NOOP		CS	4	00D0	CSFE

CSFE Power Context

CSFE Power Context Image

Description	Offset	Unit	# of DW	Address Offset (PWR)	CSFE/CSBE
NOOP		CS	1	0	CSFE
Load_Register_Immediate header	0x1100_00DB	CS	1	001	CSFE
GFX_MODE	0x029C	CS	2	0002	CSFE
GHWSP	0x0080	CS	2	0004	CSFE
RING_BUFFER_CONTROL (Ring Always Disabled)	0x003C	CS	2	0006	CSFE
Ring Head Pointer Register	0x0034	CS	2	0008	CSFE
Ring Tail Pointer Register	0x0030	CS	2	000A	CSFE
RING_BUFFER_START	0x0038	CS	2	000C	CSFE
RING_BUFFER_CONTROL (Original status)	0x003C	CS	2	000E	CSFE
Batch Buffer Current Head Register (UDW)	0x0168	CS	2	0010	CSFE
Batch Buffer Current Head Register	0x0140	CS	2	0012	CSFE
Batch Buffer State Register	0x0110	CS	2	0014	CSFE
SECOND_BB_ADDR_UDW	0x011C	CS	2	0016	CSFE
SECOND_BB_ADDR	0x0114	CS	2	0018	CSFE
SECOND_BB_STATE	0x0118	CS	2	001A	CSFE
RC_PSMI_CONTROL	0x0050	CS	2	001C	CSFE
RC_PWRCTX_MAXCNT	0x0054	CS	2	001E	CSFE
CTX_WA_PTR	0x0058	CS	2	0020	CSFE
NOPID	0x0094	CS	2	0022	CSFE
HWSTAM	0x0098	CS	2	0024	CSFE
IMR	0x00A8	CS	2	0026	CSFE
EIR	0x00B0	CS	2	0028	CSFE
EMR	0x00B4	CS	2	002A	CSFE
CMD_CCTL_0	0x00C4	CS	2	002C	CSFE
UHPTR	0x0134	CS	2	002E	CSFE
BB_PREEMPT_ADDR_UDW	0x016C	CS	2	0030	CSFE
BB_PREEMPT_ADDR	0x0148	CS	2	0032	CSFE
RING_BUFFER_HEAD_PREEMPT_REG	0x014C	CS	2	0034	CSFE
PREEMPT_DLY	0x0214	CS	2	0036	CSFE
CTXT_PREMP_DBG	0x0248	CS	2	0038	CSFE
SYNC_FLIP_STATUS	0x02D0	CS	2	003A	CSFE

Description	Offset	Unit	# of DW	Address Offset (PWR)	CSFE/CSBE
SYNC_FLIP_STATUS_1	0x02D4	CS	2	003C	CSFE
SYNC_FLIP_STATUS_2	0x02EC	CS	2	003E	CSFE
WAIT_FOR_RC6_EXIT	0x00CC	CS	2	0040	CSFE
RCS_CTXID_PREEMPTION_HINT	0x04CC	CS	2	0042	CSFE
CS_PREEMPTION_HINT_UDW	0x04C8	CS	2	0044	CSFE
CS_PREEMPTION_HINT	0x04BC	CS	2	0046	CSFE
CCID Register	0x0180	CS	2	0048	CSFE
SBB_PREEMPT_ADDRESS_UDW	0x0138	CS	2	004A	CSFE
SBB_PREEMPT_ADDRESS	0x013C	CS	2	004C	CSFE
MI_PREDICATE_RESULT_2	0x03BC	CS	2	004E	CSFE
CTXT_ST_PTR	0x03A0	CS	2	0050	CSFE
CTXT_ST_BUF	0x0370	CS	24	0052	CSFE
CTXT_ST_BUF	0x03C0	CS	24	006A	CSFE
SEMA_WAIT_POLL	0x024C	CS	2	0082	CSFE
IDLEDELAY	0x023C	CS	2	0084	CSFE
DISPLAY MESSAGE FORWARD STATUS	0x02E8	CS	2	0086	CSFE
RCS_FORCE_TO_NONPRIV	0x04D0	CS	24	0088	CSFE
EXECLIST_STATUS_REGISTER	0x0234	CS	2	00A0	CSFE
CXT_OFFSET	0x01AC	CS	2	00A4	CSBE
STOP_PARSER_CONTROL	0x0424	CS	2	00A6	CSBE
STOP_PARSER_HINT_ADDR	0x0428	CS	4	00A8	CSBE
SYNC_FLIP_STATUS_3	0x02B8	CS	2	00AC	CSFE
SYNC_FLIP_STATUS_4	0x02C0	CS	2	00AE	CSFE
SYNC_FLIP_STATUS_5	0x02C4	CS	2	00B0	CSFE
SYNC_FLIP_STATUS_6	0x01F8	CS	2	00B2	CSFE
DISPLAY MESSAGE FORWARD STATUS_2	0x0188	CS	2	00B4	CSFE
DISPLAY MESSAGE FORWARD STATUS_3	0x018C	CS	2	00B6	CSFE
EXECLIST_SQ_CONTENTS	0x0510-0x054F	CS	32	00B8	CSFE
CSB_INTERRUPT_MASK	0x0218	CS	2	00D8	CSFE
EQ_ELEMENT_MASK	0x056C	CS	2	00DA	CSFE

Context State

Context state is associated with a specific context. Context state can be programmed through Command Stream only when the associated context is being actively executed in the engine. Examples of context state include

- 3D STATE * commands (Render Engine)
- BCS TILE REGISTER (Copy Engine)

Context state is save/restored through Logical Context.

Logical Contexts

A logical context is an area in memory used to store hardware context state information and the context is referenced via a context descriptor. Context descriptor carries graphics memory address. Logical Context is always in global virtual memory. GFX device provides means to save and restore the hardware context state to logical context. Context state save/restore mechanism is used by SW to avoid re-programming the HW state across context switches for a given context.

CSFE Execlist Context

This section details the CSFE Execlist Context which is the common layout referred to as part of the VDBOX, Copy Engine and Video Enhancement context images.

CSFE Execlist Context

Programming Note	
Context:	MMIO Offset information
<p>MMIO offset mentioned for the registers in the below table are offset form the units "MMIO Base Offset" mentioned in the table " Base Offset for Video Command Streamers and Media Engine" in the section User Mode Privileged Commands. For Example: VECS has MMIO Base Offset as "0x1C_8000". In the below table "Context Control" register has 0x00244 as offset against it, actual MMIO Offset of "Context Control" register for VECS is 0xx1C_8244.</p> <p>Blitter Engine MMIO base offset must be considered as 0x2_0000.</p>	

EXECLIST CONTEXT
EXECLIST CONTEXT(PPGTT Base)
ENGINE CONTEXT

Description	MMIO Offset/Command	Unit	# of DW	Offset
NOOP		CSEL	1	0
Load_Register_Immediate header	0x1108_1019	CSEL	1	0001
Context Control	0x00244	CSEL	2	0002
Ring Head Pointer Register	0x00034	CSEL	2	0004
Ring Tail Pointer Register	0x00030	CSEL	2	0006
RING_BUFFER_START	0x00038	CSEL	2	0008
RING_BUFFER_CONTROL	0x0003C	CSEL	2	000A
Batch Buffer Current Head Register (UDW)	0x00168	CSEL	2	000C
Batch Buffer Current Head Register	0x00140	CSEL	2	000E
Batch Buffer State Register	0x00110	CSEL	2	0010
BB_PER_CTX_PTR	0x001C0	CSEL	2	0012
CS_INDIRECT_CTX	0x001C4	CSEL	2	0014
CS_INDIRECT_CTX_OFFSET	0x001C8	CSEL	2	0016
CCID	0x00180	CSEL	2	0018
SEMAPHORE_TOKEN	0x002B4	CSEL	2	001A
NOOP		CSEL	4	001C
NOOP		CSEL	1	0020
Load_Register_Immediate header	0x1108_1011	CSEL	1	0021
CTX_TIMESTAMP	0x003A8	CSEL	2	0022
PDP3_UDW	0x0028C	CSEL	2	0024
PDP3_LDW	0x00288	CSEL	2	0026
PDP2_UDW	0x00284	CSEL	2	0028
PDP2_LDW	0x00280	CSEL	2	002A
PDP1_UDW	0x0027C	CSEL	2	002C
PDP1_LDW	0x00278	CSEL	2	002E
PDP0_UDW	0x00274	CSEL	2	0030
PDP0_LDW	0x00270	CSEL	2	0032
NOOP		CSEL	4	0034
NOOP		CSEL	8	0038
NOOP	{EXISTS IF (VCS, VECS)}	CSEL_BE	16	0040
NOOP	{EXISTS IF (BCS)}	CSEL_BE	1	0040
Load_Register_Immediate header	0x1100_1003 {EXISTS IF (BCS)}	CSEL_BE	1	0041

Description	MMIO Offset/Command	Unit	# of DW	Offset
BCS TILE REGISTER	0x02200 {EXISTS IF (BCS)}	CSEL_BE	2	0042
BLIT_CCTL	0x02204 {EXISTS IF (BCS)}	CSEL_BE	2	0044
NOOP	{EXISTS IF (BCS)}	CSEL_BE	10	0046
NOOP		CSFE	1	0050
Load_Register_Immediate header	0x1100_1063	CSFE	1	0051
BB_STACK_WRITE_PORT	0x00588	CSFE	12	0052
EXCC	0x00028	CSFE	2	005E
MI_MODE	0x0009C	CSFE	2	0060
INSTPM	0x000C0	CSFE	2	0062
PR_CTR_CTL	0x00178	CSFE	2	0064
PR_CTR_THRSH	0x0017C	CSFE	2	0066
TIMESTAMP Register (LSB)	0x00358	CSFE	2	0068
BB_START_ADDR_UDW	0x00170	CSFE	2	006A
BB_START_ADDR	0x00150	CSFE	2	006C
BB_ADD_DIFF	0x00154	CSFE	2	006E
BB_OFFSET	0x00158	CSFE	2	0070
MI_PREDICATE_RESULT_1	0x0041C	CSFE	2	0072
CS_GPR (1-16)	0x00600	CSFE	64	0074
IPEHR	0x00068	CSFE	2	00B4
MI_FORCE_WAKEUP	{EXISTS IF (VCS, VECS)}	CSFE	2	00B6
NOOP	{EXISTS IF (BCS)}	CSFE	2	00B6
AUX_TTRTT_BASE_ADDRESS_SECTION (Seperate section for each engine mentioned below)		CSFE	18	00B8
NOOP*		CSFE	2	00CA
NOOP		CSFE	4	00CC



Video Enhancement Engine: AUX_TRTT_BASE_ADDRESS_SECTION

Description	MMIO Offset/Command	Unit	# of DW	Offset
NOOP		CSFE	1	00B6
Load_Register_Immediate header	0x1102_100F	CSFE	1	00B7
TRTT_CR	0x4460	CSFE	2	00BC
TRTT_VA_RANGE	0x4464	CSFE	2	00BE
TRTT_L3_BASE_LOW	0x4468	CSFE	2	00C0
TRTT_L3_BASE_HIGH	0x446C	CSFE	2	00C2
TRTT_NULL	0x4470	CSFE	2	00C4
TRTT_INVALID	0x4474	CSFE	2	00C6
AUX_TABLE_BASE_ADDR_LOW	0x4230	CSFE	2	00B8
AUX_TABLE_BASE_ADDR_HIGH	0x4234	CSFE	2	00BA

Video Decode Engine:AUX_TRTT_BASE_ADDRESS_SECTION

Description	MMIO Offset/Command	Unit	# of DW	Offset
NOOp		CSFE	1	00B6
Load_Register_Immediate header	0x1102_100F	CSFE	1	00B7
TRTT_CR	0x4420	CSFE	2	00BC
TRTT_VA_RANGE	0x4424	CSFE	2	00BE
TRTT_L3_BASE_LOW	0x4428	CSFE	2	00C0
TRTT_L3_BASE_HIGH	0x442C	CSFE	2	00C2
TRTT_NULL	0x4430	CSFE	2	00C4
TRTT_INVALID	0x4434	CSFE	2	00C6
AUX_TABLE_BASE_ADDR_LOW	0x4210	CSFE	2	00B8
AUX_TABLE_BASE_ADDR_HIGH	0x4214	CSFE	2	00BA

Copy Engine: AUX_TRTT_BASE_ADDRESS_SECTION

Description	MMIO Offset/Command	Unit	# of DW	Offset
NOOP		CSFE	1	00B6
Load_Register_Immediate header	0x1102_100B	CSFE	1	00B7
TRTT_CR	0x4480	CSFE	2	00BC
TRTT_VA_RANGE	0x4484	CSFE	2	00BE
TRTT_L3_BASE_LOW	0x4488	CSFE	2	00C0
TRTT_L3_BASE_HIGH	0x448C	CSFE	2	00C2

Description	MMIO Offset/Command	Unit	# of DW	Offset
TRTT_NULL	0x4490	CSFE	2	00C4
TRTT_INVALID	0x4494	CSFE	2	00C6
NOOP		CSFE	2	00B8
NOOP		CSFE	2	00BA

Producer-Consumer Data ordering for MI Commands

This section details the explicit data ordering enforced by HW for produce-consume of data between MI commands and explicit programming notes for data ordering not explicitly enforced by HW.

This section describes the MI commands that result in modification of data in Graphics memory or MMIO registers. These commands can be treated as producers of data for which consumers can either be SW or subsequent commands (MI or non-MI) executed by HW.

Operations (memory update or MMIO update) resulting from a command execution can be classified in to posted or non-posted.

- An operation is classified as posted if the operation initiated by the command is not guaranteed to complete (data change to be reflected) before HW moves on to the following command to execute, the posted operation is guaranteed to complete eventually. Posted operations can be forced to complete through explicit or implicit means, detailed in following section.
 - For example, a memory write is called posted if the hardware moves on to the next command after generating a memory write without waiting for the memory modification to reach a global observable point.
- An operation is classified as non-posted if the operation initiated by the command is completed before HW moves on to execute the following command.
 - For example, a memory write is called non-posted if the hardware waits for the memory write to reach a global observable point before it moves on to the next command to execute.

There are certain commands which supported both posted and non-posted operations and can be programmed by SW to select the appropriate behavior based on the usage model.



Memory Data Ordering

This section details the produce-consume data for MI commands accessing memory.

Memory Data Producer

This section describes the MI commands that modify data in graphics memory. Few commands always generate posted memory writes whereas few commands provide programmable option to generate posted Vs non-posted memory writes.

- A memory write is called posted if the hardware moves on to the next command after generating a memory write and doesn't wait for the memory modification to reach a global observable point. Since HW doesn't wait for the memory write completion it can execute the next command immediately without incurring any additional latency. Read after Write hazard is applicable in this scenario.
- A memory write is called non-posted if the hardware waits for the memory write to reach a global observable point before it moves on to the next command to execute. Since HW waits for the memory write completion before it goes on to the next command, it will incur additional latency causing a stall at top of the pipe. Read after write hazard will not happen in this scenario.

A write completion of a non-posted memory write will guarantee all the prior posted memory writes are to global observable (GO) point.

For optimal performance SW must use commands generating non-posted memory writes at the minimal. For example a single non-posted memory write can be used just before the consume point to flush out all the prior posted memory writes to global observable point. Based on the usage model SW can use a combination of commands that generate posted memory writes and non-posted memory writes for optimal performance.

Table below lists the MI Commands that can update/modify the data in graphics memory and the associated type of memory write.

Command	Memory Write Type
MI_STORE_REGISTER_MEM	Posted
MI_COPY_MEM_MEM	Posted
MI_STORE_DATA_INDEX	Posted
MI_STORE_DATA_IMM (with Wr. Completion)	Non-Posted
MI_STORE_DATA_IMM (with out Wr. Completion)	Posted
MI_REPORT_HEAD	Posted
MI_UPDATE_GTT	Posted
MI_REPORT_PERF_COUNT	Posted
MI_ATOMIC	Posted, Non-Posted
MI_FLUSH_DW (With Post-Sync Operation)	Non-Posted
PIPE_CONTROL (non-stalling, with Post-Sync Operation)	Posted
PIPE_CONTROL (Stalling, Post-Sync Operation)	Non-Posted

Apart from the MI commands that generate Non-Posted memory writes listed in the above table, execution of following commands will also implicitly ensure all prior posted writes are to Global Observable point.

Command
PIPE_CONTROL (Stalling)
MI_FLUSH_DWORD
MI_USER_INTERRUPT
PIPE_CONTROL (with Notify Interrupt)

Memory Data - Consumer

Table below lists the MI command that read the data from graphics memory as part of the command execution. Data in memory should be coherent prior to execution of these command to achieve expected functional behavior upon execution of these commands, Graphics memory writes by the earlier executed MI commands must be GO prior to execution of these commands. However, hardware has started explicitly enforcing data ordering for few of the commands (based on the prevalent usage models) and mentioned in the table below.

Command	Coherency Requirement
MI_LOAD_REGISTER_MEM	HW implicitly ensures memory writes by the prior MI commands by the corresponding engine are coherent for this command execution.
MI_BATCH_BUFFER_START	SW must ensure the data cohrency.
MI_CONDITIONAL_BATCH_BUFFER_END	SW must ensure the data cohrency.
MI_ATOMIC	HW implicitly ensures memory writes by the prior MI commands by the corresponding engine are coherent for this command execution.
MI_SEMAPHORE_WAIT	HW implicitly ensures memory writes by the prior MI commands by the corresponding engine are coherent for this command execution.

SW can use any of the MI commands that generate non-posted memory writes or the commands that implicitly force prior memory writes to GO to ensure data is coherent in memory prior to execution of these commands.



MMIO Data Ordering

This section details the produce-consume data for MI commands accessing MMIO registers.

MMIO Data Producer

Table below lists the MI commands that modify data in MMIO registers and also states if the MMIO writes generated are posted Vs non-posted.

- A MMIO write is called non-posted if the hardware waits for the MMIO update to occur before it moves on to the next command to execute.
- A MMIO write is called posted if the hardware moves on to the next command after generating a MMIO write without waiting for the MMIO update to occur.

All the MI commands listed below generate non-posted MMIO writes and hence HW guarantees the MMIO modification has taken place before HW moves on the following command.

MI_LOAD_REGISTER_MEM supports both posted and non-posted behavior and can be configured through "Async Mode Enable" bit in the command header.

Command	MMIO Write Type
MI_LOAD_REGISTER_IMM	Non-Posted
PIPE_CONTROL	Non-Posted
MI_LOAD_REGISTER_MEM	Posted, Non-Posted
MI_MATH	Non-Posted
MI_LOAD_REGISTER_REG	Non-Posted

MMIO Data Consumer

All the commands that modify the MMIO are non-posted and hence any MI command consumer of MMIO data will always get the latest updated value.

Software must take care of appropriately programming the "Async Mode Enable" bit in MI_LOAD_REGISTER_MEM command based on the requirements to enforce data ordering between producer and consumer. Table below lists the MI commands that consume the MMIO data.

Command
MI_STORE_REGISTER_MEM
MI_PREDICATE
MI_LOAD_REGISTER_REG
MI_MATH
MI_SET_PREDICATE
MI_SEMAPHORE_WAIT (register poll)
MI_SEMAPHORE_SIGNAL

Command Fetch

Command parser implements a DMA engine to fetch the command data from memory. DMA engine pre-fetches eight cacheline worth of command data into its storage and keeps it ready to be executed, it keeps fetching command data as and when space is available in the storage.

Advanced Command Prefetch

Advanced command pre-fetch is an enhancement to the existing DMA engine to addresses its limitation of not being to stream pre-fetches on instructions causing jumps (Ex: Batch Buffer Start and Batch Buffer End). Advanced command pre-fetch is enabled by default; however software is given flexibility to enable or disable advanced command pre-fetch at its convenience by following means:

- Global state through MMIO (GFX_MODE) which is part of power context. This MMIO bit must be enabled or disabled only through CPU path and must be done when there is no context active in hardware.
- Inline to the command sequence through MI_ARB_CHK, this state is maintained per context. This mechanism must be used by SW to disable pre-fetch around self-modification-code or around selective command sequences of interest.

In order for pre-fetch functionality to be enabled both global and per context state should be set to pre-fetch enable.

Self-Modifying Code

Self-modifying code (SMC) in context to command parser refers to a scenario where in a command sequence executed by the command parser modifies the upcoming commands to be executed by command parser. DMA pre-fetch of command data introduces certain programming restriction on placement of the SMC in the command sequence.

- The modifying commands and the modified commands should be far apart by the number of cachelines fetched by the CS for latency hiding(See Max Command FIFO Depth below) Or
- The modifying commands and the modified command must be executed after a batch buffer start(chained or nested)

Advanced command preparer adds additional limitation to the programming of self-modifying code. Software must explicitly disable the preparer logic before programming a batch buffer whose contents has been modified by the earlier programmed command sequence (self-modifying code). Preparer logic must be disabled using MI_ARB_CHECK command prior to programing the MI_BATCH_BUFFER_START command and pre-fetch logic must be enabled using MI_ARB_CHECK as the first command inside the batch buffer.

Max Command FIFO Depth
8